

en	Original Original Instructions - Plunge-cut saw	3
fr	Notice d'utilisation d'origine- Scie plongeante	18
es	Manual de instrucciones original - Sierra de incisión	35



Read all instructions before using  
Lire toutes les instructions avant de démarrer les travaux.  
Lea y comprende todas las instrucciones antes de usar.



## TS 75 EQ



Festool GmbH  
Wertstraße 20  
73240 Wendlingen  
Germany  
[www.festoolusa.com](http://www.festoolusa.com)








## Contents

1	About this manual.....	3
2	Symbols.....	3
3	Safety warnings.....	4
4	Intended use.....	8
5	Technical data.....	8
6	Functional description.....	8
7	Operation.....	9
8	Settings.....	9
9	Working with the electric power tool.....	13
10	Service and maintenance.....	15
11	Accessories.....	15
12	Environment.....	17

## 1 About this manual











### Save these instructions

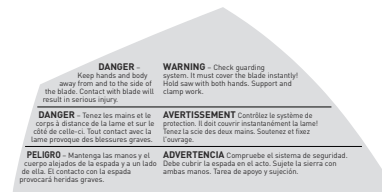
It is important for you to read and understand this manual. The information it contains relates to protecting **your safety** and **preventing problems**. The symbols below are used to help you recognize this information.

	<b>DANGER</b>	Description of imminent hazard and failure to avoid hazard will result in death.
	<b>WARNING</b>	Description of hazard and possible resulting injuries or death.
	<b>CAUTION</b>	Description of hazard and possible resulting injuries.
	<b>NOTICE</b>	Description of possible damage of the device or its surroundings.

## 2 Symbols

	Warning of general danger
	Warning of electric shock
	Read the operating instructions and safety instructions.
	Wear a dust mask.
	Wear protective gloves when changing tools and working with raw materials.
	Wear ear protection.
	Wear protective goggles.

	Direction of rotation of saw and the saw blade
	Connecting the mains power cable
	Disconnecting the mains power cable
	Direction of rotation of saw and the saw blade
	Saw blade measurement a ... Diameter
	Electro-dynamic run-down brake
	Electronics with adjustable and constant speed as well as temperature monitoring
	Safety class II
	Tip or advice
	Handling instruction



**DANGER** Keep hands and body away from and to the side of the blade. Contact with blade will result in serious injury.

**WARNING** Check guarding system. It must cover the blade instantly! Hold saw with both hands. Support and clamp work.

W	watt
V	volt
A	amperes
Hz	hertz
~	alternating current
a.c.	
$n_0$	no load speed
$\text{min}^{-1}$	revolutions per minute
"	inch
mm	millimetre
lb.	pound
kg	kilogram
°	angular degree

∅ diameter

## 3 Safety warnings

### 3.1 General power tool safety warnings



**WARNING! Read all safety warnings, instructions, illustrations and specifications provided with this power tool.** Failure to follow all instructions listed below may result in electric shock, fire and/or serious injury.

**Save all warnings and instructions for future reference.**

The term "power tool" in the warnings refers to your mains-operated (corded) power tool or battery-operated (cordless) power tool.

#### 1 WORK AREA SAFETY

- a. **Keep work area clean and well lit.** Cluttered or dark areas invite accidents.
- b. **Do not operate power tools in explosive atmospheres, such as in the presence of flammable liquids, gases or dust.** Power tools create sparks which may ignite the dust or fumes.
- c. **Keep children and bystanders away while operating a power tool.** Distractions can cause you to lose control.

#### 2 ELECTRICAL SAFETY

- a. **Power tool plugs must match the outlet. Never modify the plug in any way. Do not use any adapter plugs with earthed (grounded) power tools.** Unmodified plugs and matching outlets will reduce risk of electric shock.
- b. **Avoid body contact with earthed or grounded surfaces, such as pipes, radiators, ranges and refrigerators.** There is an increased risk of electric shock if your body is earthed or grounded.
- c. **Do not expose power tools to rain or wet conditions.** Water entering a power tool will increase the risk of electric shock.
- d. **Do not abuse the cord. Never use the cord for carrying, pulling or unplugging the power tool. Keep cord away from heat, oil, sharp edges or moving parts.** Damaged or entangled cords increase the risk of electric shock.
- e. **When operating a power tool outdoors, use an extension cord suitable for outdoor use.** Use of a cord suitable for outdoor use reduces the risk of electric shock.

- f. **If operating a power tool in a damp location is unavoidable, use a residual current device (RCD) protected supply.** Use of an RCD reduces the risk of electric shock.

#### 3 PERSONAL SAFETY

- a. **Stay alert, watch what you are doing and use common sense when operating a power tool. Do not use a power tool while you are tired or under the influence of drugs, alcohol or medication.** A moment of inattention while operating power tools may result in serious personal injury.
- b. **Use personal protective equipment. Always wear eye protection.** Protective equipment such as a dust mask, non-skid safety shoes, hard hat or hearing protection used for appropriate conditions will reduce personal injuries.
- c. **Prevent unintentional starting. Ensure the switch is in the off-position before connecting to power source and/or battery pack, picking up or carrying the tool.** Carrying power tools with your finger on the switch or energising power tools that have the switch on invites accidents.
- d. **Remove any adjusting key or wrench before turning the power tool on.** A wrench or a key left attached to a rotating part of the power tool may result in personal injury.
- e. **Do not overreach. Keep proper footing and balance at all times.** This enables better control of the power tool in unexpected situations.
- f. **Dress properly. Do not wear loose clothing or jewellery. Keep your hair and clothing away from moving parts.** Loose clothes, jewellery or long hair can be caught in moving parts.
- g. **If devices are provided for the connection of dust extraction and collection facilities, ensure these are connected and properly used.** Use of dust collection can reduce dust-related hazards.
- h. **Do not let familiarity gained from frequent use of tools allow you to become complacent and ignore tool safety principles.** A careless action can cause severe injury within a fraction of a second.

#### 4 POWER TOOL USE AND CARE

- a. **Do not force the power tool. Use the correct power tool for your application.** The

correct power tool will do the job better and safer at the rate for which it was designed.


- b. **Do not use the power tool if the switch does not turn it on and off.** Any power tool that cannot be controlled with the switch is dangerous and must be repaired.
- c. **Disconnect the plug from the power source and/or remove the battery pack, if detachable, from the power tool before making any adjustments, changing accessories, or storing power tools.** Such preventive safety measures reduce the risk of starting the power tool accidentally.
- d. **Store idle power tools out of the reach of children and do not allow persons unfamiliar with the power tool or these instructions to operate the power tool.** Power tools are dangerous in the hands of untrained users.
- e. **Maintain power tools and accessories. Check for misalignment or binding of moving parts, breakage of parts and any other condition that may affect the power tool's operation. If damaged, have the power tool repaired before use.** Many accidents are caused by poorly maintained power tools.
- f. **Keep cutting tools sharp and clean.** Properly maintained cutting tools with sharp cutting edges are less likely to bind and are easier to control.
- g. **Use the power tool, accessories and tool bits etc. in accordance with these instructions, taking into account the working conditions and the work to be performed.** Use of the power tool for operations different from those intended could result in a hazardous situation.
- h. **Keep handles and grasping surfaces dry, clean and free from oil and grease.** Slippery handles and grasping surfaces do not allow for safe handling and control of the tool in unexpected situations.

## 5 SERVICE

- a. **Have your power tool repaired by qualified specialists only and always use original spare parts.** This ensures that the safety of the power tool is maintained.
- b. **Only use original parts for repairs and maintenance.** The use of incompatible accessories or spare parts can result in electric shocks or other injuries.

## 3.2 Safety instructions for specific circular saws

### Cutting procedures

-  **DANGER: Keep hands away from cutting area and the blade. Keep your second hand on auxiliary handle, or motor housing.** If both hands are holding the saw, they cannot be cut by the blade.
- **Do not reach underneath the workpiece.** The guard cannot protect you from the blade below the workpiece.
- **Adjust the cutting depth to the thickness of the workpiece.** Less than a full tooth of the blade teeth should be visible below the workpiece.
- **Never hold the workpiece in your hands or across your leg while cutting. Secure the workpiece to a stable platform.** It is important to support the work properly to minimise body exposure, blade binding, or loss of control.
- **Hold the power tool by the insulated handle surfaces if you intend to perform work that entails a risk of cutting into hidden power cables or the tool's own power cable.** Contact with live cables transfers an electric current to metal components on the electric power tool and causes electric shocks.
- **When ripping, always use a rip fence or straight edge guide.** This improves the accuracy of cut and reduces the chance of blade binding.
- **Always use blades with correct size and shape (diamond versus round) of arbour holes.** Blades that do not match the mounting hardware of the saw will run off-centre, causing loss of control.
- **Never use damaged or incorrect blade washers or bolt.** The blade washers and bolt were specially designed for your saw, for optimum performance and safety of operation.

### Kickback causes and related warnings

- kickback is a sudden reaction to a pinched, jammed or misaligned saw blade, causing an uncontrolled saw to lift up and out of the workpiece toward the operator;
- when the blade is pinched or jammed tightly by the kerf closing down, the blade stalls and the motor reaction drives the unit rapidly back toward the operator;

- if the blade becomes twisted or misaligned in the cut, the teeth at the back edge of the blade can dig into the top surface of the wood causing the blade to climb out of the kerf and jump back toward the operator.

Kickback is the result of saw misuse and/or incorrect operating procedures or conditions and can be avoided by taking proper precautions as given below.

- **Maintain a firm grip with both hands on the saw and position your arms to resist kickback forces. Position your body to either side of the blade, but not in line with the blade.** Kickback could cause the saw to jump backwards, but kickback forces can be controlled by the operator, if proper precautions are taken.
- **When blade is binding, or when interrupting a cut for any reason, release the trigger and hold the saw motionless in the material until the blade comes to a complete stop. Never attempt to remove the saw from the work or pull the saw backward while the blade is in motion or kickback may occur.** Investigate and take corrective actions to eliminate the cause of blade binding.
- **When restarting a saw in the workpiece, centre the saw blade in the kerf so that the saw teeth are not engaged into the material.** If a saw blade binds, it may walk up or kickback from the workpiece as the saw is restarted.
- **Support large panels to minimise the risk of blade pinching and kickback.** Large panels tend to sag under their own weight. Supports must be placed under the panel on both sides, near the line of cut and near the edge of the panel.
- **Do not use dull or damaged blades.** Unsharpened or improperly set blades produce narrow kerf causing excessive friction, blade binding and kickback.
- **Blade depth and bevel adjusting locking levers must be tight and secure before making the cut.** If blade adjustment shifts while cutting, it may cause binding and kickback.
- **Use extra caution when sawing into existing walls or other blind areas.** The protruding blade may cut objects that can cause kickback.

## Lower guard function

- **Check the lower guard for proper closing before each use. Do not operate the saw if the lower guard does not move freely and close instantly. Never clamp or tie the lower guard into the open position.** If the saw is accidentally dropped, the lower guard may be bent. Raise the lower guard with the retracting handle and make sure it moves freely and does not touch the blade or any other part, in all angles and depths of cut.
- **Check the operation and condition of the guard return spring. If the guard and the spring are not operating properly, they must be serviced before use.** The guard may operate sluggishly due to damaged parts, gummy deposits, or a build-up of debris.
- **Assure that the base plate of the saw will not shift while performing a "plunge cut".** Blade shifting sideways will cause binding and likely kick back.
- **Always observe that the guard is covering the blade before placing the saw down on bench or floor.** An unprotected, coasting blade will cause the saw to walk backwards, cutting whatever is in its path. Be aware of the time it takes for the blade to stop after the switch is released.

## Riving knife function

- **Use the appropriate saw blade for the riving knife.** For the riving knife to function, the body of the blade must be thinner than the riving knife and the cutting width of the blade must be wider than the thickness of the riving knife.
- **Adjust the riving knife as described in this instruction manual.** Incorrect spacing, positioning and alignment can make the riving knife ineffective in preventing kickback.
- **For the riving knife to work, it must be engaged in the workpiece.** The riving knife is ineffective in preventing kickback during short cuts.
- **Do not operate the saw if the riving knife is bent.** Even a light interference can slow the closing rate of a guard.

### 3.3 Safety instructions for the pre-assembled saw blade

#### Usage

- The maximum speed specified on the saw blade must not be exceeded and the speed range must be adhered to.
- The pre-installed saw blade is only designed for use in circular saws.
- Proceed with extreme care when unpacking, packing and handling the tool (e.g. installing it in the machine). There is a risk of injury from extremely sharp cutting edges!
- When handling the tool, wearing safety gloves provides a more secure hold of the tool and further reduces the risk of injury.
- Circular saw blades with cracked bodies must be replaced. Repair is not permitted.
- Circular saw blades with a combination design (soldered saw teeth) with saw tooth thickness smaller than 1 mm must no longer be used.
- Do not use tools with visible cracks or blunt or damaged cutting edges.

#### Installation and mounting

- Tools must be clamped in such a way that they cannot come loose during operation.
- When assembling the tools, it must be ensured that the clamping takes place on the tool hub or the clamping surface of the tool, and that the cutting edges do not come into contact with other components.
- Do not lengthen the key or tighten by hitting with a hammer.
- The clamping surfaces must be cleaned to remove contamination, grease, oil and water.
- Clamping screws must be tightened according to the manufacturer's instructions.
- Only securely installed rings, e.g. rings that have been pressed in or those that are held in position by an adhesive bond, may be used to adjust the hole diameter of circular saw blades to the spindle diameter of the machine. The use of loose rings is not permitted.


#### Service and maintenance

- Repairs and sanding work may only be carried out by Festool customer service workshops or experts.
- The tool design must not be changed.
- Deresinify and clean the tool regularly (cleaning agent with pH between 4.5 and 8).

- Blunt edges can be resharpened on the clamping surface to a minimum cutting edge thickness of 1 mm.
- Only transport the tool in suitable packaging – risk of injury!


### 3.4 Further safety instructions



- **Wear suitable personal protective equipment:** Ear protection, protective goggles, dust mask for work that generates dust, protective gloves for working with rough materials and for changing tools.
- **Harmful/toxic dust may be produced during your work (e.g. paint containing lead, certain types of wood or metals).** Contact with or inhalation of this dust may pose a risk for the operating personnel or persons in the vicinity. Comply with the safety regulations that apply in your country.
-  Wear a P2 respiratory mask to protect your health. In enclosed spaces, ensure that there is sufficient ventilation and connect a mobile dust extractor.
- Check whether there are any signs of damage to the housing components, such as cracks or stress whitening. Have any damaged components repaired before using the power tool.
- **Use appropriate detection devices to look for any hidden supply lines or consult your local utility company.** If the insertion tool makes contact with live cables, it can result in fire and electric shock. Damage to a gas pipe can lead to an explosion. Penetration of a water pipe can result in damage to property.

### 3.5 Sawing aluminium

When sawing aluminium, the following measures must be taken for safety reasons:

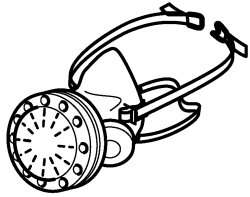
-  Wear protective goggles.
- Regularly clean dust deposits from the motor housing on the power tool.
- Use an aluminium saw blade.
- Connect the power tool to a suitable dust extractor with an antistatic suction hose.
- When sawing panels, they must be lubricated with petroleum, but thin-walled profiles (up to 1/8" (3 mm)) can be sawed without lubrication.



### 3.6 Health hazard by dust

**WARNING!** various dust created by power sanding, sawing, grinding, drilling and other construction activities contains chemicals known (to the State of California) to cause cancer, birth defects or other reproductive harm. Some examples of these chemicals are:

- lead from lead-based paints,
- crystalline silica from bricks and cement and other masonry products, and
- arsenic and chromium from chemically treated lumber.



The risk from these exposures varies, depending on how often you do this type of work. To reduce your exposure to these chemicals: work in a well ventilated

area, and work with approved safety equipment, such as dust masks that are specially designed to filter out microscopic particles. Wash hands after handling.



#### WARNING

**TO REDUCE THE RISK OF INJURY, USER MUST READ INSTRUCTION MANUAL.**

### 4 Intended use

Plunge-cut saws are designed for sawing wood, materials similar to wood, gypsum and cement-bonded fibre materials and plastics.

When fitted with the special saw blades offered by Festool, the machines can also be used for sawing unhardened ferrous metal and non-ferrous metal.

Materials containing asbestos must NOT be processed.

Do not use cutting or abrasive wheels.

This power tool may only be used by experts or instructed persons.

**Festool electric power tools must only be installed on work tables provided by Festool for this purpose.** If the tool is installed in another, or self-made, work table, it can become unstable and result in serious accidents.

**WARNING!** The user is liable for improper or non-intended use.

#### 4.1 Saw blades

Only use saw blades with the following dimensions:

- Saw blades according to EN 847-1
- Saw blade diameter 8-1/4" (210 mm)

- Cutting width 3/32" to 7/64" (2.4 - 2.6 mm)
- Locating bore 1-3/16" (30 mm)
- Standard blade thickness Max. 5/64" (1.8 mm)
- Suitable for speeds of up to 5000 min<sup>-1</sup>

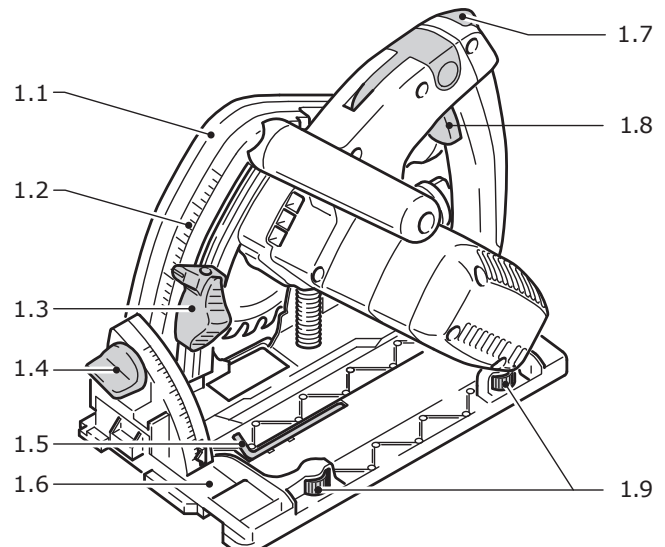
Festool saw blades comply with EN 847-1.

Only saw materials for which the saw blade in question has been designed.

### 5 Technical data

Circular saw	TS 75 EQ
Power consumption	13 A
No load speed	1350 - 4400 min <sup>-1</sup>
Angele of cut	0 - 45°
Cutting depth at 90°	2-15/16" (75 mm)
Cutting depth at 45°	2-1/8" (56 mm)
Saw blade diameter	8-1/4" (210 mm)
Saw blade hole diameter	1-3/16" (30 mm)
Weight	13.6 lbs (6.2 kg)

### 6 Functional description



- [1.1]** Protective cover
- [1.2]** Cutting depth scale
- [1.3]** Cutting depth end stop
- [1.4]** Setscrew for angle adjustment
- [1.5]** Hexagon socket wrench
- [1.6]** Saw table
- [1.7]** Switching on and unlocking block
- [1.8]** On/Off switch
- [1.9]** Guide jaws



## 7 Operation



### WARNING

#### Unauthorised voltage or frequency.

##### Risk of accidents

- ▶ The mains voltage and the frequency of the power source must correspond to the specifications on the name plate.
- ▶ In North America, only Festool machines with the voltage specifications 120 V/60 Hz may be used.



### CAUTION

#### Heating of the Plug it connection if bayonet fitting is not completely locked

##### Risk of burns

- ▶ Before switching on the power tool, make sure that the bayonet fitting at the mains cable is closed fully and locked.



Always switch off the machine before connecting and disconnecting the mains power cable.

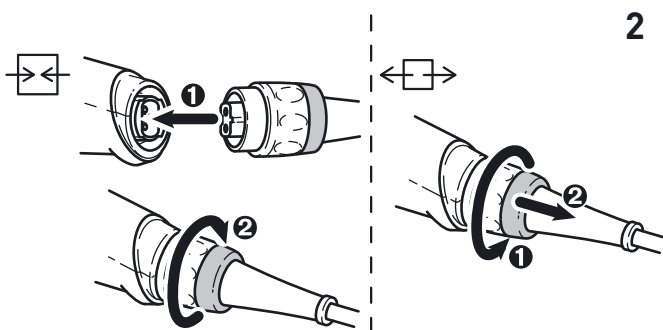
Connecting and disconnecting the mains power cable see Fig. [2].



Slide the safety lock [1.7] upwards and press the on/off switch [1.8] (press = ON / release = OFF).

Pressing the safety lock unlocks the plunging mechanism. The saw unit can then be moved downwards. This causes the saw blade to emerge from the protective cover.

- ⓘ When the machine is lifted, the saw unit springs back into its initial position.



### 7.1 Extension Cord

If an extension cord is required, it must have sufficient cross-section to prevent an excessive drop in voltage or overheating. An excessive drop in voltage reduces the output and can lead to failure of the motor. The table below shows you the correct cord diameter as a function of the cord length for this tool.

### Cord Size in A.W.G

Tool`s Ampere Rating	Cord Length in Feet			
	25	50	100	150
3-6	18	16	16	14
6-8	18	16	14	12
8-10	18	16	14	12
10-12	16	16	14	12
12-16	14	12	-	-

### Wire Sizes in mm<sup>2</sup>

Tool`s Ampere Rating	Cord Length in Meters			
	15	30	60	120
3-6	0.75	0.75	1.5	2.5
6-8	0.75	1.0	2.5	4.0
8-10	0.75	1.0	2.5	4.0
10-12	1.0	2.5	4.0	-
12-16	-	-	-	-

Use only NRTL listed extension cords.

Never use two extension cords together. Instead, use one long one.

- ⓘ The lower the AWG number, the stronger the cord.

## 8 Settings



### WARNING

#### Risk of injury, electric shock

- ▶ Always pull the mains plug out of the socket before performing any type of work on the machine!

### 8.1 Electronics

The machine features full-wave phase control electronics with the following features:

#### Smooth start-up

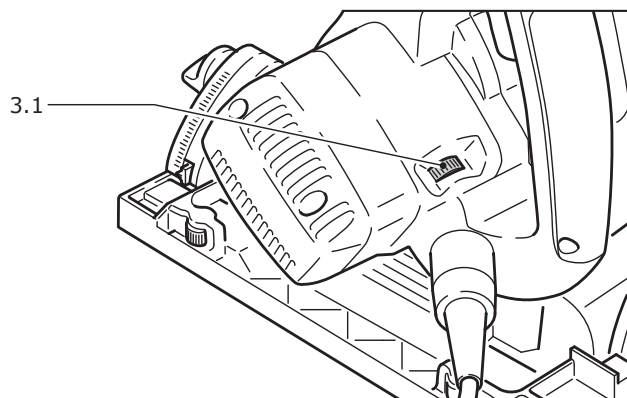
The electronically controlled smooth start-up function ensures that the power tool starts up smoothly.

#### Constant speed

The motor speed is electronically kept constant. This ensures a uniform cutting speed even when under load.

## Speed control

You can continuously adjust the speed within the speed range using the adjusting wheel **[3.1]** (see "Technical data"). This enables you to optimise the cutting speed to suit each surface.



### Speed range per material

Solid wood (hard, soft)	6
Chipboard and hardboard	3-6
Laminated wood, blockboard, veneered and laminated panels	6
Laminate, mineral materials	4-6
Plaster- and cement-bonded chipboard and fibreboard	1-3
Aluminium panels and profiles up to 15 mm	4-6
Plastics, fibre-reinforced plastics, paper and fabric	3-5
Acrylic glass	4-5

## Temperature cut-out

When exceeding a certain engine temperature level, the machine power supply and speed are capped. The power tool continues operating at reduced power to allow the ventilator to cool the motor rapidly. The power tool resumes to full performance automatically once the motor has cooled sufficiently.

## Current limiting

Current limiting prevents excessive current consumption under extreme overload, which can lead to a decrease in the motor speed. The motor immediately restarts after the load is removed.

## 8.2 Cutting depth

The cutting depth can be set at 0 to 2-15/16" (0 - 75 mm):

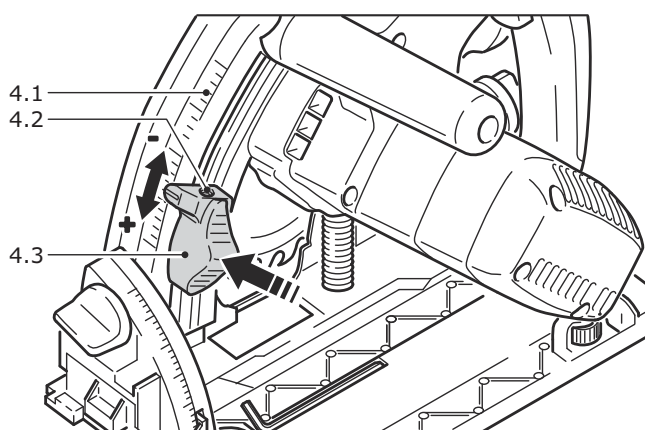
- Press the cutting depth stop **[4.3]** and move it to the desired cutting depth (the

values specified on the scale **[4.1]** apply to 0° cuts without guide rail),

- Release the cutting depth stop (the cutting depth stop notches along in 1 mm-steps).

The sawing unit can now be pressed down to the set cutting depth.

- ⓘ A grub screw (M4x8 to M4x12) can be screwed into the hole **[4.2]** on the cutting depth stop. By turning the grub screw, the cutting depth can be set even more exactly ( $\pm 0.004"$  (0.1 mm)).

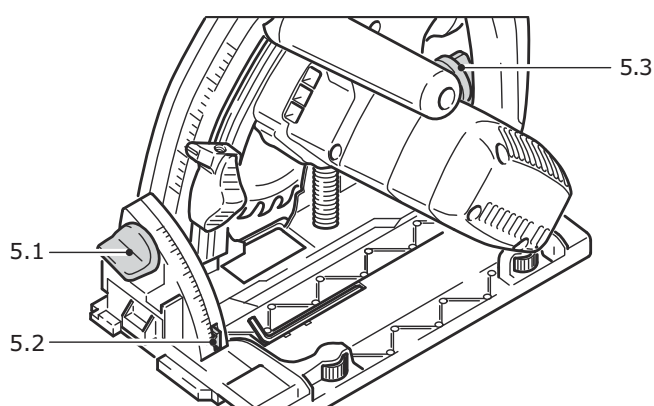


## 8.3 Adjusting the cutting angle

The sawing unit can be swivelled between 0° and 45°:

- Loosen rotary knobs **[[5.1], [5.3]]**,
- Swivel sawing unit to the desired cutting angle **[5.2]**,
- Retighten rotary knobs.

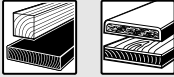

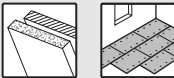
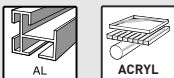
- ⓘ Both end positions (0° and 45°) are set at the factory and can be readjusted by the after-sales service team.



## 8.4 Selecting the saw blade

Festool saw blades are identified by a coloured ring. The colour of the ring represents the material for which the saw blade is suited.

Refer to the necessary saw blade data (see section [4.1](#)).

Colour	Material	Symbol
Yellow	Wood	
Red	Laminate, mineral material	
Green	Plaster- and cement-bonded chipboard and fibreboard	
Blue	Aluminium, plastic	

## 8.5 Changing the saw blade



### WARNING

#### Risk of injury, electric shock

- ▶ Always disconnect the mains plug from the socket before performing any work on the machine.



### CAUTION

#### Risk of injury from hot and sharp insertion tool

- ▶ Do not use any blunt or faulty insertion tools.
- ▶ Wear protective gloves when handling an insertion tool.

#### Remove the saw blade

- ▶ Swivel the machine to 0° before replacing the saw blade and adjust the maximum cutting depth.
- ▶ Turn the lever [6.2] as far as it will go.
- ▶ Slide the safety lock [6.1] upwards and push the saw unit downwards until it clicks into place.
- ▶ Loosen the screw [6.4] using the Allen key [6.3].
- ▶ Remove the saw blade [6.7].

#### Inserting the saw blade

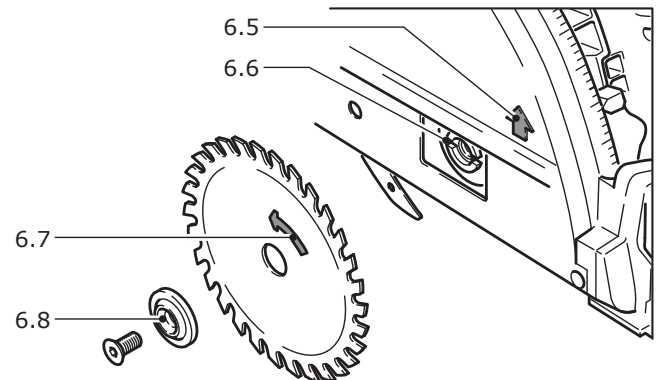
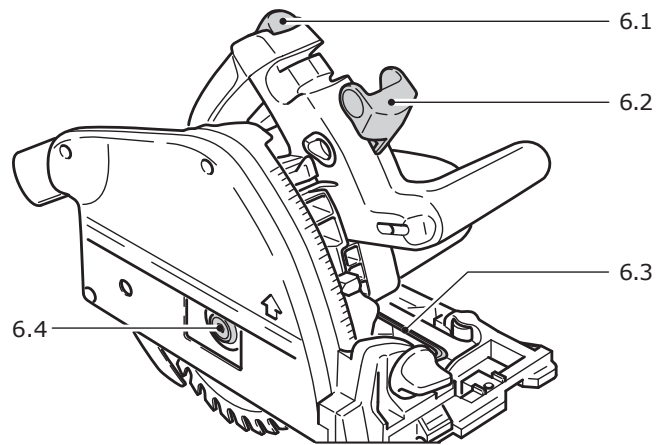
**WARNING!** Check the screws and flange for contamination and only use clean and undamaged parts.

- ▶ Insert the new saw blade.

**WARNING!** The direction of rotation of the saw blade [6.7] and saw [6.5] must match. Serious injuries may occur in the event of non-compliance.

- ▶ Insert the outer flange [6.8] so that the pin engages in the recess on the inner flange.
- ▶ Tighten the screw [6.4].

- ▶ Reposition the lever [6.2].



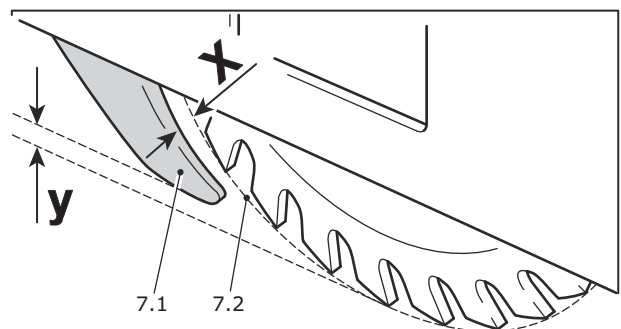
## 8.6 Riving knife



### WARNING

#### Risk of injury

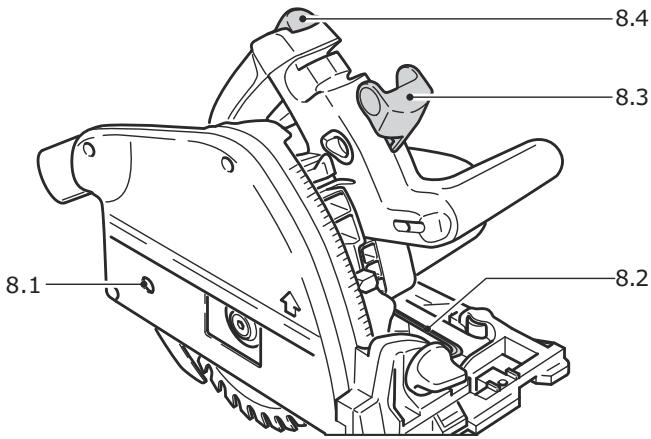
The circular saw is fitted with a riving knife [7.1] as standard. All saw work should, for safety reasons, only be carried out with the riving knife installed and correctly set



The riving knife must be set so that

- the distance between riving knife and cutting circle [7.2] of the saw blade is 5/64" to 5/32" (2 - 4 mm) (measurement x), and
- the saw blade is set 5/64" to 5/32" (2 - 4 mm) above the riving knife (measurement y)

## Setting the riving knife:



- ▶ Move lever **[8.3]** as far as it will go,
- ▶ push switch lock **[8.4]** up and push sawing unit down until it locks into place,
- ▶ loosen screw **[8.1]** with Allen key **[8.2]**,
- ▶ set riving knife as shown in chapter 8.6
- ▶ tighten screw **[8.1]**,
- ▶ put lever **[8.3]** back.

## 8.7 Dust extraction



### WARNING

#### Health hazard posed by dust

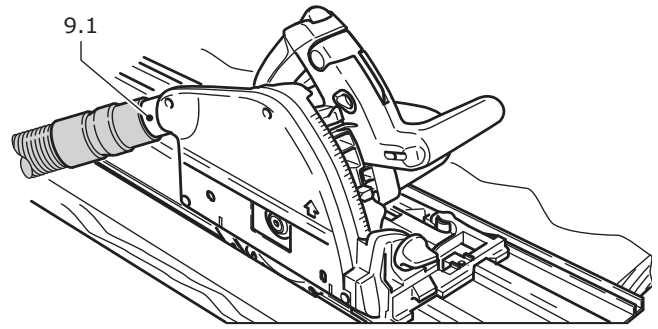
- ▶ Always work with an extractor.
- ▶ Only use a dust extractor designed to collect the specific type of dust and particles from the material being cut.
- ▶ Follow OSHA and NFPA regulations to ensure a safe work environment.

### Festool mobile dust extractor

A Festool mobile dust extractor with a suction hose diameter of 1-1/16"/1-17/64" (27/32 mm) or 1-7/16" (36 mm) (36 mm recommended due to the reduced risk of clogging) can be connected to the extractor connector.

The adapter on a 1-1/16" (27 mm) diameter suction hose is inserted into the angle adapter **[9.1]**. The adapter on a 1-7/16" (36 mm) diameter suction hose is inserted over the angle adapter **[9.1]**.

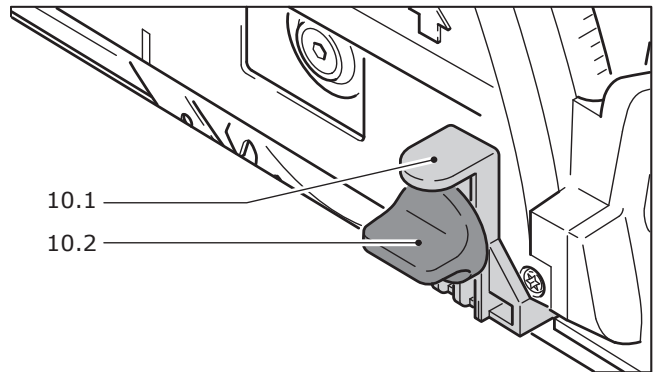
**CAUTION!** A static charge may build up if no antistatic suction hose is used. The user may receive an electric shock and the power tool's electronics may be damaged.



## 8.8 Mounting the splinterguard

The splinterguard (accessories) significantly improves the quality of the cutting edge of the sawn workpiece on the upper side for 0° cuts.

- ▶ Attach splinterguard **[10.1]** onto the protective cover,
- ▶ Place machine onto the workpiece or the guide rail,
- ▶ Press splinterguard down until it sits on the workpiece and tighten it with the rotary knob **[10.2]**.
- ▶ Saw splinterguard in (machine to maximum cutting depth and speed range 6).

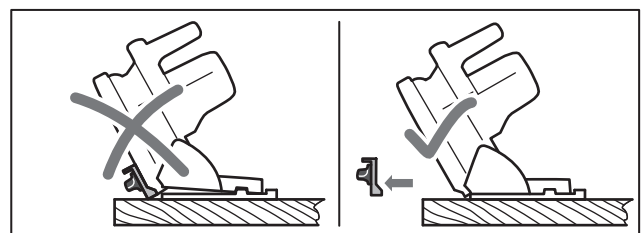


### WARNING

#### Risc of injury

**When making mitre cuts, the splinterguard raises the portable circular saw from the workpiece, which can lead to serious injuries.**

- ▶ Use the splinterguard only for 0° cuts. Always remove the splinterguard for mitre cuts.



## 9 Working with the electric power tool



When working on the machine, observe all of the safety warnings that are listed at the start as well as the following rules:

### Before starting

- Before each use, check whether the drive unit with the saw blade correctly and fully swivels back up into its initial position in the protective housing. Do not use the saw if the upper end position is not secured. Never clamp or secure the swivelling drive unit at a specific cutting depth. This would mean that the saw blade is not protected.
- Check the plunging mechanism prior to use and do not use the machine if it does not work correctly.
- Check that the saw blade is securely in place.
- Make sure that the rotary knob [1.4] is tightened before starting work.
- Make sure that extractor hose and mains power cable do not snag the entire saw cut, either on the workpiece, the workpiece support or hazards on the ground.
- Always secure the workpiece in such a way that it cannot move during machining.
- Position the workpiece so that it is stress-free and level.

### During work

- When working, always hold the power tool **with both hands** on the handles [11.1], [11.2]. This is a prerequisite for precise work and is essential for plunge-cutting. Plunge into the workpiece slowly and evenly.
- Only guide the power tool towards the workpiece when it is switched on.
- Always push the saw forwards [13.3], and **never towards yourself**.
- Adapt the infeed speed to prevent the cutters on the saw blade from overheating and prevent plastic materials from melting during cutting. The harder the material to be sawn, the lower the feed speed needs to be.
- Do not work with the machine if the electronics are defective, because this may lead to excessive speeds. You can tell if the electronics are defective if there is no smooth start-up or if it is not possible to regulate the speed or where smoke is

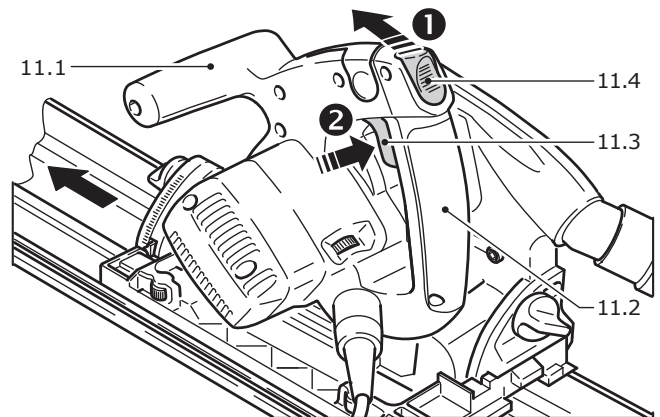
present or if there is a smell of burning coming from the machine.

### 9.1 Switching the machine on and off

**! WARNING** Keep the machine steady during switching and during use by holding the handle [11.2] and the additional handle [11.1] with both hands

To switch on, first push the cut-in and release block [11.4] forwards, and then press the „On“-“Off“ switch [11.3]. You can then press the machines down for sawing, and release the cut-in and release block.

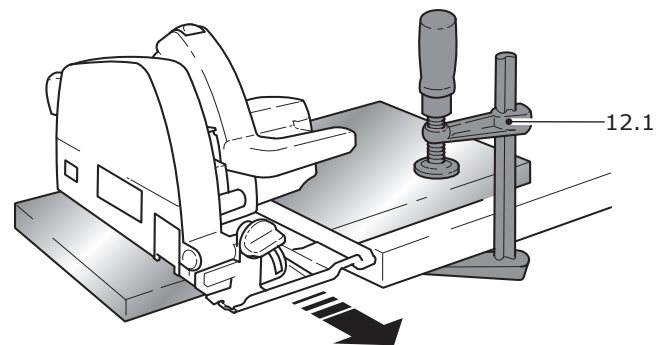
To switch off, release the „On“-“Off“ switch.



**! WARNING** After the machine has been switched off, the saw blade will still rotate for a time. Take care that parts of your body do not come into contact with the saw blade while it is still rotating!

As soon as you remove the machine from the workpiece once sawing has been completed, the machine automatically returns to its basic position and the saw blade is again completely covered by the protective covering.

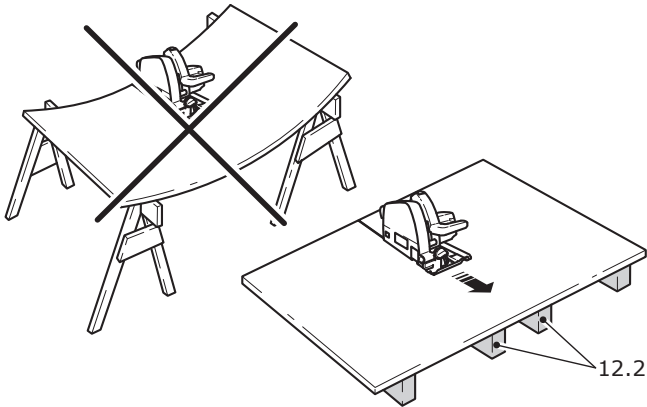
### 9.2 Support of the workpieces



Ensure that your workpieces are securely fixed and cannot move during sawing. Otherwise, there is an increased risk of accident. Never hold the workpiece to be cut with your hands or between your legs. Use instead screw clamps [12.1] or some other suitable devices to fix your workpiece.



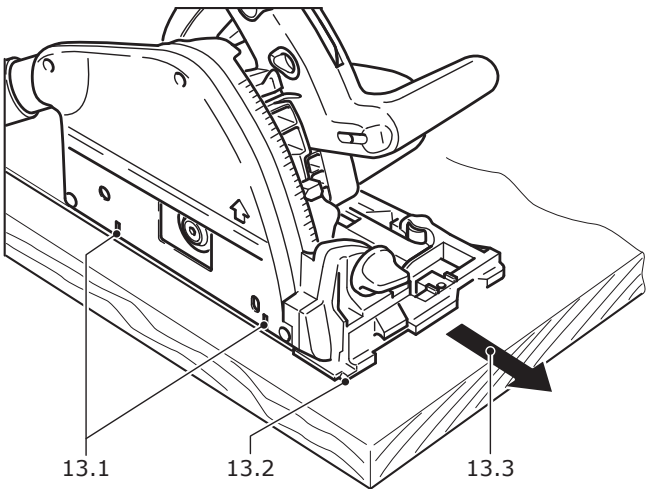
Never position large or long workpieces so that they bend in the middle or at the cutting face. This can lead to the saw blade jamming and re-coiling. Instead, support the workpiece with several wooden battens **[12.2]**, particularly in the vicinity of the cutting face.



### 9.3 Sawing

**⚠ WARNING** The machine must reach full speed before cutting begins and should only be switched off once cutting has finished.

**⚠ WARNING** Only operate the saw away from you (pushing the circular saw forwards, **[13.3]**) and never towards you (pulling the circular saw backwards). If you saw towards you, there is the danger that the circular saw might be accelerated out of the cutting groove (recoil) and cause serious injury.).

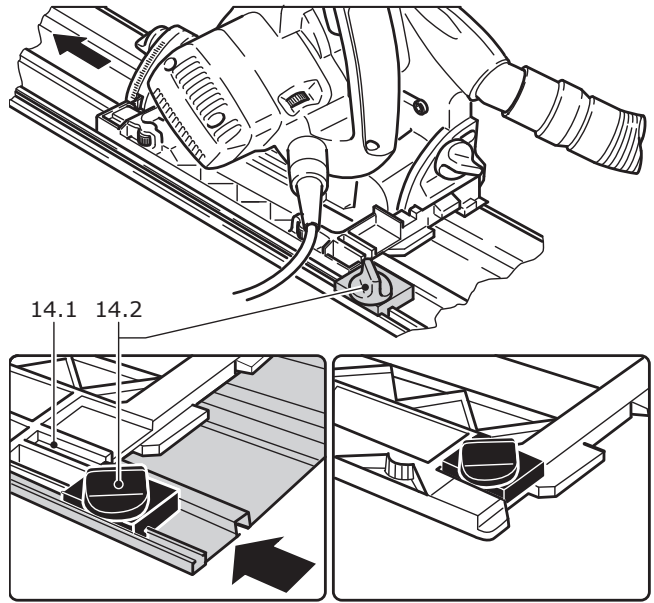


#### A) Sawing sections

- ▶ Place the front part of the saw bench on the workpiece. The cutting indicator **[13.2]** displays the cutting line for 0° and 45° cuts (without guide rail).
- ▶ Switch the machine on, and press the saw down to the set cutting depth.
- ▶ Push the machine in the direction of cut. Take care that the saw bench remains firmly on the workpiece.
- ▶ Switch the machine off when cutting is completed.

#### B) Plunge cuts

**⚠ WARNING** In order to avoid kickbacks, the following instructions absolutely must be observed when plunge cutting:



- The machine must always be placed with the rear edge of the saw table against a fixed stop.
- When working with the guide rail, the tool must be placed at the kickback stop **[14.2]**, which is firmly clamped on the guard rail. When not in use, the kickback stop can be kept in safe keeping at the guide plate **[14.1]** of the machine.
- The machine must always be held securely with both hands and only plunged slowly.

#### Procedure

- ▶ Place the machine onto the workpiece and position it against a stop (kickback stop).
- ▶ Switch the machine on.
- ▶ Slowly press it down onto the set cutting depth and push it forward in the cutting direction.

*The markings **[13.1]** display the absolute front and the absolute rear cutting points of the saw blade (dia. 8-1/4" (210 mm)) at maximum cutting depth and using the guide rail.*

## 10 Service and maintenance



### WARNING

**Any maintenance or repair work that requires opening of the motor or gear housing should only be carried out by an authorised Customer Service Centre (name supplied by your dealer)!**

- Maintenance or repair work carried out by an unauthorised person can lead to the wrong connection of the power cord or other components, which in turn can lead to accidents with serious consequences.



### WARNING

**To prevent accidents, always remove the plug from the power supply socket before carrying out any changes or maintenance work on the tool!**

- Do not use compressed air to clean the electrical tool! Do not try to clean parts inside the tool in this way, as you could let foreign objects in through the openings of the tool housing.



### CAUTION

**Certain cleaning agents and solvents are harmful to plastic parts.**

- Some of these include, but are not limited to: Gasoline, Acetone, Methyl Ethyl Ketone (MEK), Carbonyl Chloride, cleaning solutions containing Chlorine, Ammonia, and household cleaners containing Ammonia.



**Customer service and repairs** must only be carried out by the manufacturer or service workshops. Find the nearest address at:  
[www.festoolusa.com/service](http://www.festoolusa.com/service)



Always use original Festool spare parts. Order no. at:  
[www.festoolusa.com/service](http://www.festoolusa.com/service)

### Observe the following instructions:

- Damaged safety devices and parts, such as a faulty lever for changing tools **[6.2]**, must be properly repaired or replaced in a recognised specialist workshop, unless otherwise indicated in the operating manual.
- Check the condition and fault-free functioning of the recuperating springs, which push

the entire drive mechanism bearing into the upper protected end positions.

- To ensure constant air circulation, always keep the cooling air openings in the housing clean and free of blockages.
- Use an extractor on all openings in order to remove wood chips and splinters from the power tool. Never open the protective lid **[1.1]**.
- When working with plaster- and cement-bonded fibreboards, clean the tool particularly thoroughly. Clean the vents of the power tool and on/off switch using dry, oil-free compressed air. Otherwise, gypsum dust deposits may build up inside the power tool's housing and on the on/off switch and harden when exposed to humidity. This may impair the switching mechanism

## 11 Accessories

Use only original Festool accessories and Festool consumable material intended for this machine. These components are designed specifically for this machine. Using accessories and consumable material from other suppliers will most likely affect the quality of your results and limit warranty claims. Machine wear or your own personal workload may increase depending on the application. Protect yourself and your machine, and preserve your warranty claims by always using original Festool accessories and Festool consumable material!

The order numbers of the accessories and tools can be found in the Festool catalogue or on the Internet under "[www.festoolusa.com](http://www.festoolusa.com)".

### 11.1 Parallel stop, table widener

A parallel stop can be used for section widths up to 7-1/16" (180 mm). The parallel stop can also be used as a table widener.

### 11.2 Guide system

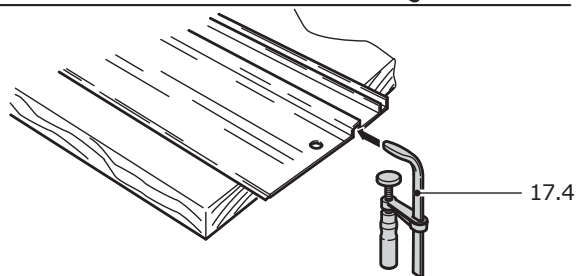
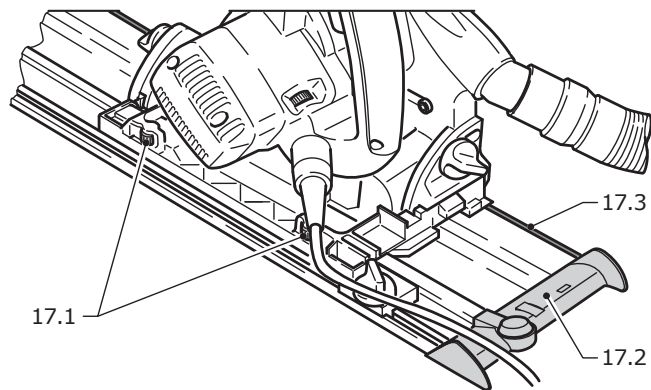
The guide rails, which are available in different lengths, allow for precise, clean cuts and simultaneously protect the workpiece surface against damage. In conjunction with the extensive range of accessories, exact angled cuts, mitre cuts and fitting work can be completed with the guide system.

The option of securing using G-clamps **[17.4]** ensures a firm hold and safe working. The optional cord guide **[17.2]** prevents the power cord and vacuum hose from catching on the end of the guide rail.

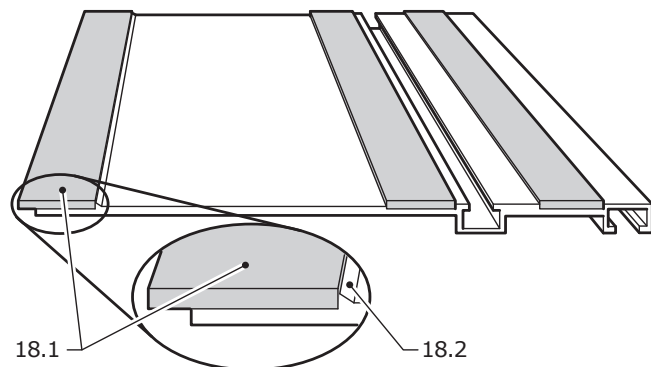


The guide clearance of the saw table on the guide rails can be set with the two setting jaws **[17.1]**.

The guide rails are equipped with a splinter-guard (**[17.3]**, **[18.1]**), which prevents splintering of the workpiece by holding the top edge of the workpiece down as the teeth of the sawblade move upward against it. The splinterguard has to be cut to size before the first use:



- ① Position the guide rail for sawing the splinter guard on a test piece of wood.
- Set the speed of the machine to level 6,
- Place the machine on the rear end of the guide rail,
- Switch the machine on, press it down to the set cutting depth and cut the splinterguard along the full length without interruption. The edge of the splinterguard now corresponds exactly to the cutting edge.



The splinter guard needs to be replaced if it becomes damaged or worn:

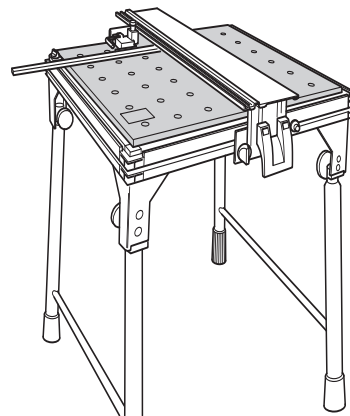
- Peel the original splinter guard **[18.1]** away from the guide rail.
- As needed, clean residual adhesive and debris from the guide rail.

- Peel off the plastic backing from the new splinter guard to expose the adhesive.
- Without stretching the rubber, carefully place the new splinter guard on the underside of the guide rail tight to the alignment rib **[18.2]**.
- Make sure the splinter guard is firmly pressed down to the guide rail.
- Trim the splinter guard as described before.

- ① Position the guide rail for sawing the splinter guard on a test piece of wood.

### 11.3 Multifunction table

The multifunction table MFT/3 makes clamping the workpiece easy and allows you to saw large and small workpieces safely and precisely using the guide system. Its many fields of application make economical and ergonomically convenient work possible.



### 11.4 Saw blades, other accessories

In order to saw different materials quickly and cleanly, Festool offers saw blades for all applications that are specially designed for your Festool circular saw.

### 11.5 Side-mounted cover, false joints

The cover that can be mounted on the side of the protective cover improves the effect of dust extraction for 0° cuts.


Simultaneously, the cover can be used as a false joint stop for false joint widths from 3/4" (18 mm) onwards.

### 11.6 SYSTAINER


#### Systainer

Many Festool products are shipped in a unique system container, called "Systainer". This provides protection and storage for the tool and accessories. The Systainers are stackable and can be interlocked together. They also can be interlocked atop Festool CT dust extractors.

### To open the Systainer

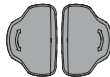
 Turn the T-loc **[SYS-b-1]** to this position.

### To lock the Systainer

 Turn the T-loc **[SYS-b-1]** to this position.

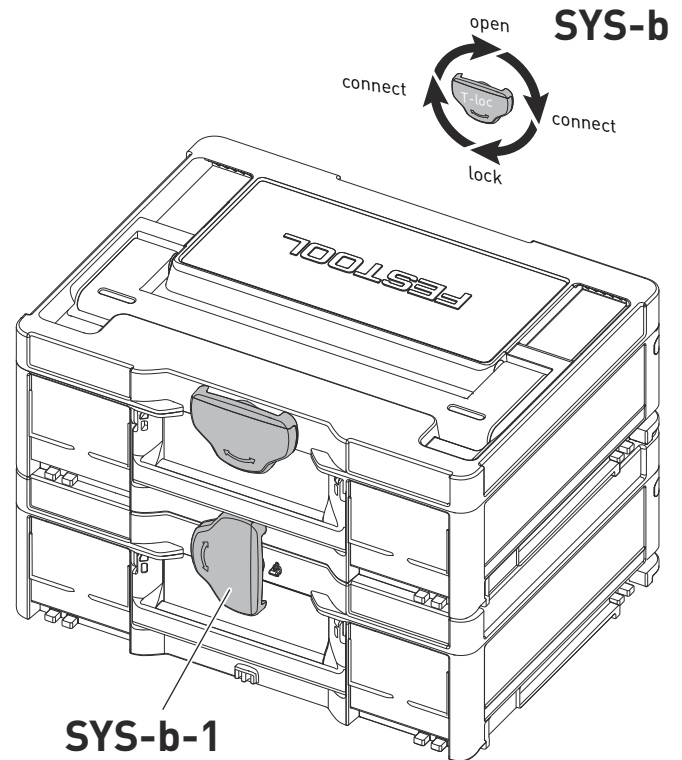
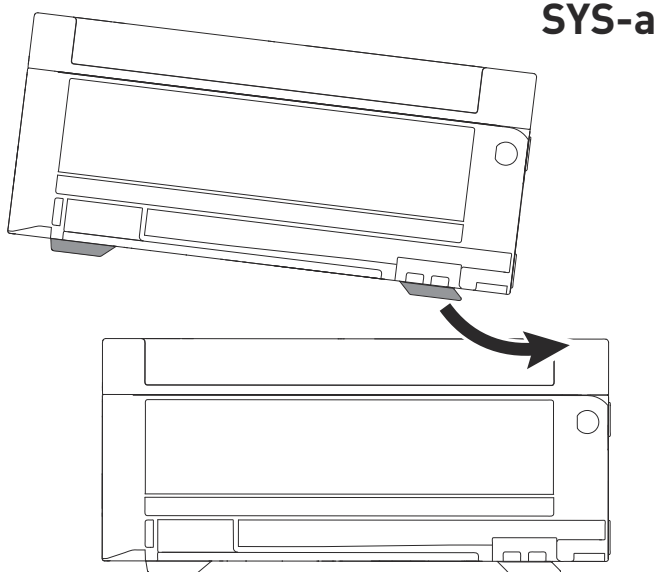
### To connect two Systainers

Place one Systainer on the top of the other (Fig. **[SYS-a]**).

 Turn the T-loc **[SYS-b-1]** to one of this positions (Fig. **[SYS-b]**).

The Systainers are connected and locked.

- i** A Systainer Classic Line can be connected to a Systainer T-Loc or to a Systainer<sup>3</sup> from below via its four locking devices. A Systainer T-Loc can be connected to a Systainer<sup>3</sup> both from below and from above.



## 12 Environment

**Do not dispose of the device as domestic waste!** Dispose of machines, accessories and packaging at an environmentally responsible recycling centre. Observe the respective national regulations.

## Sommaire

1	À propos de ce manuel.....	18
2	Symboles.....	18
3	Consignes de sécurité.....	19
4	Utilisation conforme.....	24
5	Caractéristiques techniques.....	24
6	Description fonctionnelle.....	25
7	Mise en service.....	25
8	Réglages.....	26
9	Utilisation de l'outil électroportatif.....	29
10	Maintenance et entretien.....	31
11	Accessoires.....	32
12	Environnement.....	34

## 1 À propos de ce manuel

### Conservez ces instructions

Il est important pour vous de lire et de comprendre ce manuel. Les informations qu'il contient, se rapporte à la protection **de votre sécurité** et **de prévention des problèmes**. Les symboles suivants sont utilisés pour vous aider à reconnaître cette information.



**DANGER** Description du risque imminent et l'incapacité à éviter tout risque qui peut entraîner la mort.



**AVERTISSEMENT** Description des dangers possibles et des blessures qui en résultent ou la mort.



**ATTENTION** Description des dangers et des éventuelles blessures qui en résultent.

**AVIS** Description des dommages potentiels sur l'appareil ou dans son environnement.

## 2 Symboles



Avertit d'un danger général



Avertit d'un risque de décharge électrique



Lire le mode d'emploi et les consignes de sécurité !



Porter une protection respiratoire !



Portez des gants de protection pour changer de lame et pour manipuler des matériaux rugueux !



Porter une protection auditive !



Porter des lunettes de protection !



Sens de rotation de la scie et de la lame de scie



Brancher le câble de raccordement secteur



Débrancher le câble de raccordement secteur



Sens de rotation de la scie et de la lame de scie



Dimension de la lame de scie  
a ... Diamètre



Frein électrodynamique



Système électronique à vitesse constante réglable et surveillance de la température



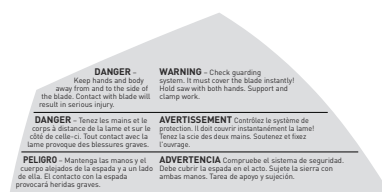
Classe de protection II



Conseil, information



Instruction



**DANGER** Tenez les mains et le corps à distance de la lame et sur le côté de celle-ci. Tout contact avec la lame provoque des blessures graves.

**AVERTISSEMENT** Contrôlez le système de protection. Il doit couvrir instantanément la lame! Tenez la scie des deux mains. Soutenez et fixez l'ouvrage.

W Watt

V Volt

A Ampère

Hz Hertz

~ Tension alternative

a.c.

$n_0$  Vitesse de rotation à vide

" Pouce

mm	millimètre
lb.	Livre
kg	kilogramme
°	degré angulaire
∅	Diamètre

### 3 Consignes de sécurité

#### 3.1 Consignes générales de sécurité pour outils électroportatifs



**AVERTISSEMENT !** Veuillez lire toutes les consignes de sécurité, instructions, illustrations et caractéristiques techniques qui accompagnent le présent outil électroportatif.

Des négligences relatives aux instructions suivantes peuvent occasionner un choc électrique, un incendie et/ou des blessures graves.

**Conserver l'ensemble des consignes de sécurité et des instructions afin de pouvoir les consulter ultérieurement.**

Le terme « outil électroportatif » utilisé dans les consignes de sécurité se rapporte aux outils électroportatifs fonctionnant sur secteur (avec câble) et aux outils électroportatifs fonctionnant sur batterie (sans câble).

#### 1 SÉCURITÉ DU POSTE DE TRAVAIL

- Veillez à ce que la zone de travail soit propre et bien éclairée.** Un poste de travail en désordre ou mal éclairé peut entraîner des accidents.
- Ne vous servez pas de l'outil électroportatif dans un environnement où il y a un risque d'explosion dû à la présence de liquides inflammables, de gaz ou de poussières.** Les outils électroportatifs peuvent générer des étincelles susceptibles d'enflammer la poussière ou les vapeurs.
- Éloignez les enfants et d'autres personnes pendant l'utilisation de l'outil électroportatif.** Si vous êtes distrait, vous pouvez perdre le contrôle de l'outil électroportatif.

#### 2 SÉCURITÉ ÉLECTRIQUE

- Le connecteur de l'outil électroportatif doit correspondre à la prise électrique. Le connecteur ne doit être modifié d'aucune façon. N'utilisez pas d'adaptateur avec des outils électroportatifs mis à la terre.** Des connecteurs intacts et des prises correspondantes diminuent le risque d'un choc électrique.

- Évitez tout contact avec des surfaces mises à la terre telles que des tuyaux, chauffages, cuisinières et réfrigérateurs.** Un risque élevé de choc électrique existe si votre corps est relié à la terre.
- Protégez les outils électroportatifs de la pluie et de l'humidité.** L'infiltration d'eau dans un outil électroportatif augmente le risque de choc électrique.
- Ne détournez pas l'utilisation du câble de raccordement pour porter l'outil électroportatif, l'accrocher ou pour tirer le connecteur de la prise. Éloignez le câble de la chaleur, de l'huile, de bords tranchants ou de pièces en mouvement.** Des câbles de raccordement endommagés ou enchevêtrés augmentent le risque de choc électrique.
- Si vous travaillez avec un outil électroportatif à l'extérieur, utilisez uniquement des rallonges prévues pour l'extérieur.** L'utilisation d'un câble prévu pour l'extérieur diminue le risque d'un choc électrique.
- Utilisez un disjoncteur à courant de défaut quand le fonctionnement de l'outil électroportatif en environnement humide ne peut pas être évité.** L'utilisation d'un disjoncteur à courant de défaut diminue le risque d'un choc électrique.

#### 3 SÉCURITÉ DES PERSONNES

- Soyez attentif à ce que vous faites, faites preuve de bon sens lorsque vous travaillez avec l'outil électroportatif. N'utilisez pas l'outil électroportatif si vous êtes fatigué ou si vous êtes sous l'influence de drogues, de l'alcool ou de médicaments.** Un moment d'inattention lors de l'utilisation de l'outil électroportatif peut entraîner des blessures graves.
- Portez un équipement de protection individuelle et des lunettes de protection en permanence.** Le port d'un équipement de protection individuelle tel que masque contre la poussière, chaussures de sécurité antidérapantes, casque ou protection auditive, en fonction du type et de l'utilisation de l'outil électroportatif, diminue le risque de blessures.
- Évitez toute mise en service involontaire. Assurez-vous que l'outil électroportatif est déconnecté avant de le raccorder à l'alimentation électrique et/ou à la batterie, avant de le soulever ou de le porter.** Si, en portant l'outil électroportatif, vous

avez le doigt sur l'interrupteur ou si vous raccordez l'outil électroportatif connecté à l'alimentation électrique, cela peut entraîner des accidents.

- d. **Retirez les outils de réglage ou les clés anglaises avant de connecter l'outil électroportatif.** Un outil ou une clé qui se trouve dans une partie de l'outil électroportatif en rotation peut entraîner des blessures.
- e. **Évitez toute position de travail anormale. Veillez à maintenir une position stable et un bon équilibre à tout moment.** Vous pourrez ainsi à tout moment contrôler l'outil électroportatif dans des situations inattendues.
- f. **Portez des vêtements adaptés. Ne portez pas de vêtements amples ou de bijoux. Éloignez vos cheveux et vos vêtements des pièces en mouvement.** Des vêtements amples, des bijoux ou des cheveux longs pourraient se prendre dans les pièces en mouvement.
- g. **Si des dispositifs d'aspiration et de récupération des poussières peuvent être montés, raccordez-les et utilisez-les correctement.** L'utilisation d'une aspiration des poussières peut diminuer les dangers dus aux poussières.
- h. **Ne vous croyez pas faussement en sécurité et n'enfreignez pas les règles de sécurité destinées aux outils électroportatifs, même si vous maîtrisez l'outil électroportatif après de multiples utilisations.** Un manque d'attention peut en un quart de seconde entraîner de graves blessures.

#### 4 UTILISATION ET TRAITEMENT DE L'OUTIL ÉLECTROPORTATIF

- a. **Ne surchargez pas l'outil électroportatif. Utilisez l'outil électroportatif destiné à votre travail.** L'outil électroportatif adapté vous permet de travailler mieux et avec plus de sécurité dans la plage de puissance indiquée.
- b. **N'utilisez aucun outil électroportatif dont l'interrupteur serait défectueux.** Un outil électroportatif qui ne peut plus être mis en marche ou arrêté est dangereux et doit être réparé.
- c. **Débranchez le connecteur de la prise de courant et/ou retirez une batterie amovible avant d'effectuer des réglages sur l'appareil, de remplacer des pièces d'outil ou de déposer l'outil électroportatif.** Cette

mesure de précaution empêche un démarrage involontaire de l'outil électroportatif.


- d. **Rangez toujours les outils électroportatifs inutilisés hors de portée des enfants. Ne laissez aucune personne à laquelle vous ne faites pas confiance ou qui n'a pas lu ces consignes se servir de l'outil électroportatif.** Les outils électroportatifs sont dangereux lorsqu'ils sont utilisés par des personnes inexpérimentées.
- e. **Prenez soin de vos outils électroportatifs et outils. Vérifiez que les parties mobiles fonctionnent sans problème, qu'elles ne coincent pas et qu'il n'y a pas de parties cassées ou endommagées qui pourraient entraver le bon fonctionnement de l'outil électroportatif. Faites réparer les parties endommagées avant d'utiliser l'outil électroportatif.** De nombreux accidents sont dus à un mauvais entretien des outils électroportatifs.
- f. **Maintenez les outils de coupe affûtés et propres.** Des outils de coupe entretenus avec soin dotés de bords de coupe affûtés se coincent moins et sont plus faciles à utiliser.
- g. **Utilisez l'outil électroportatif, les outils, etc. en respectant ces instructions. Tenez compte des conditions de travail et de la tâche à effectuer.** L'utilisation des outils électroportatifs pour d'autres applications que celles prévues peut entraîner des situations dangereuses.
- h. **Veillez à ce que les poignées et surfaces des poignées soient sèches, propres et exemptes d'huile ou de graisse.** Des poignées et surfaces de poignées glissantes ne permettent pas une utilisation en toute sécurité ni un contrôle de l'outil électroportatif dans des situations imprévues.

#### 5 SERVICE

- a. **Faites réparer votre outil électroportatif uniquement par un personnel qualifié ; les réparations doivent être uniquement effectuées avec des pièces détachées d'origine,** afin de garantir la fiabilité de l'outil électroportatif.
- b. **Pour la réparation et l'entretien, n'utilisez que des pièces d'origine.** L'utilisation d'accessoires ou de pièces détachées non adaptés risque de provoquer une électrocution ou des blessures.

### 3.2 Consignes de sécurité spécifiques aux scies circulaires

#### Sciage

-  **DANGER ! N'approchez pas vos mains de la zone de sciage et de la lame de scie. Tenez la poignée supplémentaire ou le carter moteur à l'aide de votre deuxième main.** Vous éviterez tout risque de blessure avec la lame de scie si vous tenez la scie circulaire à deux mains.
- **Ne touchez pas le dessous de la pièce.** Le capot de protection ne peut pas vous protéger de la lame de scie dans la zone située au-dessous de la pièce.
- **Adaptez la profondeur de coupe à l'épaisseur de la pièce.** Les dents ne doivent pas être complètement visibles sous la pièce.
- **Ne tenez jamais la pièce à scier dans la main ou sur la jambe. Fixez la pièce sur un support stable.** Il est important de bien fixer la pièce à travailler afin de réduire les risques de contact corporel, de blocage de la lame de scie ou de perte de contrôle.
- **Si l'outil monté risque d'entrer en contact avec des câbles invisibles ou son propre câble de raccordement, tenez l'outil électroportatif par les parties isolées.** Le contact avec un câble sous tension met également les pièces métalliques de l'outil électroportatif sous tension et peut provoquer une décharge électrique.
- **Pour les coupes en longueur, utilisez toujours une butée ou une arête de guidage droite.** Ceci permet d'améliorer la précision de la coupe et de réduire les risques de blocage de la lame de scie.
- **Utilisez toujours des lames de scie présentant une taille et un trou de fixation adaptés (par ex. trou en forme de losange ou rond).** Les lames de scie qui ne sont pas adaptées aux pièces de montage de la scie tournent de manière excentrique et entraînent une perte de contrôle.
- **N'utilisez jamais de brides ou de vis de serrage détériorées ou inadaptées.** Les brides et les vis de serrage de la lame de scie ont été conçues spécialement pour votre scie afin de garantir une performance optimale ainsi que la sécurité de fonctionnement.

#### Causes du recul et consignes de sécurité correspondantes

- Le recul est un mouvement soudain qu'effectue la lame de scie quand elle s'accroche, se coince ou est mal alignée. La scie se soulève alors de manière incontrôlée, sort du matériau et se déplace en direction de l'utilisateur ;
- quand la lame de scie s'accroche ou se coince dans la fente de coupe qui se resserre, elle reste bloquée et la force générée par le moteur repousse l'appareil en direction de l'utilisateur ;
- Si la lame de scie se tord ou est mal alignée dans la ligne de coupe, les dents de sa partie arrière peuvent s'accrocher dans la surface de la pièce. Dans ce cas, la lame de scie est éjectée de la fente de coupe et la scie est repoussée en direction de l'utilisateur.

Le recul résulte d'une utilisation incorrecte ou inappropriée de la scie. Il peut être évité en appliquant les mesures de précaution adéquates, comme décrit ci-après.

- **Tenez fermement la scie des deux mains et placez vos bras à une position dans laquelle vous serez en mesure de résister à la force du recul. Tenez-vous toujours à côté de la lame de scie et ne placez jamais cette dernière dans l'axe de votre corps.** En cas de recul, la scie circulaire peut être projetée en arrière. Toutefois, l'utilisateur peut maîtriser la force du recul s'il a pris les mesures appropriées.
- **Si la lame de scie se coince ou que vous souhaitez interrompre votre travail, relâchez l'interrupteur marche/arrêt et maintenez la scie dans le matériau jusqu'à ce qu'elle soit complètement immobile. Ne tentez jamais de sortir la scie de la pièce ou de la tirer vers l'arrière tant que la lame de scie est en mouvement. Ceci pourrait provoquer un recul.** Déterminez la cause du blocage de la lame de scie et prenez les mesures nécessaires pour y remédier.
- **Si vous souhaitez remettre en marche une scie enfoncée dans la pièce, centrez la lame de scie dans la fente de coupe et vérifiez que les dents de la scie ne se sont pas accrochées dans la pièce.** Si la lame de scie est bloquée, il est possible qu'elle sorte de la pièce ou provoque un recul au redémarrage de la scie.



- **Placez des appuis sous les panneaux de grande taille afin de réduire le risque blocage de la lame de scie et de recul.** Les panneaux de grande taille peuvent fléchir sous leur propre poids. Les panneaux doivent être soutenus des deux côtés, près de la fente de coupe tout comme sur les bords.
- **N'utilisez pas de lames de scie émoussées ou endommagées.** En raison d'une fente de coupe trop étroite, les lames de scie dont les dents sont émoussées ou tordues provoquent une friction plus importante, un blocage de la lame de scie et un recul.
- **Avant le sciage, serrez les éléments de réglage de la profondeur et de l'angle de coupe.** En cas de changement des réglages pendant le sciage, la lame de scie peut se bloquer et provoquer un recul.
- **Soyez particulièrement prudent lors des coupes plongeantes dans des parois ou d'autres zones sans visibilité.** Lors du sciage, la lame de scie peut se bloquer dans des objets invisibles et provoquer un recul.

#### Fonctions du capot de protection

- **Avant chaque utilisation, vérifiez que le capot de protection se ferme parfaitement. N'utilisez pas la scie si le capot de protection est gêné dans son mouvement et ne se ferme pas instantanément. Veillez à ne jamais bloquer ou attacher le capot de protection. Sinon, la lame de scie n'est plus protégée.** Si la scie tombe par accident sur le sol, le capot de protection risque de se déformer. Assurez-vous que le capot de protection n'est pas gêné dans son mouvement et qu'il ne touche ni la lame de scie ni d'autres pièces quels que soient l'angle et la profondeur de coupe.
- **Vérifiez l'état et le fonctionnement des ressorts du capot de protection. Si le capot de protection et les ressorts ne fonctionnent pas parfaitement, faites réparer l'appareil.** Les pièces endommagées, les dépôts collants et les accumulations de copeaux ralentissent le fonctionnement du capot de protection.
- **Pour les coupes plongeantes qui ne sont effectuées à angle droit, fixez la plaque de base de la scie de manière à empêcher tout mouvement.** Un déplacement latéral peut provoquer un blocage de la lame de scie et, par conséquent, un recul.

- **Ne posez pas la scie sur l'établi ou sur le sol sans que le capot de protection ne recouvre la lame de scie.** Une lame de scie non protégée ou encore en phase de ralentissement déplace la scie dans le sens inverse du sens de coupe et scie tout ce qui se trouve sur son chemin. Il est donc indispensable de tenir compte de la durée de ralentissement de la scie avant l'arrêt complet.

#### Fonction du guide-lame

- **Utilisez la lame de scie convenant au guide-lame.** Pour que le guide-lame puisse agir, la lame de base de la lame de scie doit être plus fine que lui et la largeur de dent doit être supérieure à son épaisseur.
- **Ajustez le guide-lame comme décrit dans cette notice d'utilisation.** Si le guide-lame ne permet pas de prévenir efficacement le risque de recul, ceci peut être dû à une épaisseur, une position et un alignement incorrects.
- **Pour que le guide-lame puisse agir, il doit se trouver dans la fente de coupe.** Dans le cas des coupes courtes, le guide-lame ne protège pas du risque de recul.
- **N'utilisez pas la scie si le guide-lame est déformé.** La moindre anomalie peut ralentir la fermeture du capot de protection.

### 3.3 Consignes de sécurité relatives à la lame de scie prémontée

#### Utilisation

- La vitesse maximale indiquée sur la lame de scie ne doit pas être dépassée ou la plage de vitesse doit être respectée.
- La lame de scie prémontée est réservée pour l'utilisation dans des scies circulaires.
- Déballer, emballer et manipuler l'outil avec le plus grand soin (lors de l'installation dans la machine par ex.). Risque de blessure dû aux dents très tranchantes !
- Lors de la manipulation de l'outil, le port de gants de protection améliore la prise sur l'outil et réduit encore le risque de blessure.
- Remplacez les lames de scie circulaire fissurées. Une remise en état n'est pas autorisée.
- Les lames de scies circulaires de type composite (avec dents de scie soudées) dont l'épaisseur des dents est inférieure à 1 mm ne doivent plus être utilisées.



- N'utilisez pas les outils avec des fissures visibles, des dents émoussées ou endommagées.

### Montage et fixation

- Les outils doivent être serrés de telle sorte qu'ils ne se détachent pas pendant le travail.
- Lors du montage des outils, s'assurer que le serrage sur le moyeu de l'outil ou sur la surface de serrage de l'outil a bien lieu et que les lames n'entrent pas en contact avec les autres éléments.
- Le fait de rallonger la clé ou de la serrer avec des coups de marteau n'est pas autorisé.
- Nettoyer les salissures, la graisse, l'huile ou l'eau des surfaces de serrage.
- Serrer les vis de serrage selon les instructions du fabricant.
- Pour adapter le diamètre d'alésage des lames de scie circulaire au diamètre de la broche de la machine, seules des bagues fixes sont utilisées, par ex. : des bagues pressées ou maintenues en place par collage. L'utilisation de bagues desserrées n'est pas autorisée.

### Entretien et maintenance


- Les réparations et travaux de ponçage ne doivent être effectués que par des ateliers du service après-vente Festool ou par des experts.
- Ne modifiez pas la conception de l'outil.
- Enlevez la résine et nettoyez régulièrement l'outil (produit nettoyant dont le pH est compris entre 4,5 et 8).
- Les arêtes de coupe émoussées peuvent être rectifiées sur la surface de coupe jusqu'à une épaisseur de coupe minimale de 1 mm.
- Transportez l'outil dans un emballage approprié pour éviter tout risque de blessure !

### 3.4 Autres consignes de sécurité




**Portez un équipement de protection individuelle approprié** : une protection auditive, des lunettes de protection, un masque anti-poussière lors des travaux impliquant un dégagement de poussière et des gants

de protection dans le cas des matériaux rugueux et lors du changement d'outil.

- **Pendant l'utilisation du travail, des poussières nocives/toxiques peuvent être générées (comme les poussières de peintures au plomb et certaines poussières de bois ou de métaux).** Le contact avec ces poussières ou leur inhalation peut présenter un danger pour la santé de l'utilisateur ou des personnes se trouvant à proximité. Veuillez respecter les prescriptions de sécurité en vigueur dans votre pays.
-  Pour protéger votre santé, portez un masque de protection respiratoire de catégorie P2. Dans les espaces clos, assurer une ventilation suffisante et raccorder un aspirateur.
- Vérifiez si des éléments du carter présentent des dommages (fissures, fendillements, etc.). Faites réparer les parties endommagées avant d'utiliser l'outil électroportatif.
- **Utilisez des appareils de détection appropriés pour repérer les câbles d'alimentation invisibles ou consultez l'entreprise de distribution locale.** Le contact de l'outil monté avec un câble sous tension peut provoquer un feu ou une décharge électrique. Une conduite de gaz endommagée peut provoquer une explosion. Le perçage dans une conduite d'eau provoque des dégâts matériels.

### 3.5 Sciage de l'aluminium

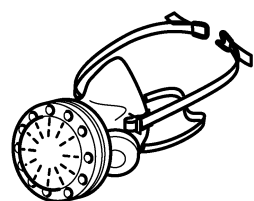
Pour des raisons de sécurité, prenez les mesures suivantes en cas de sciage d'aluminium :

-  Portez des lunettes de protection !
- Retirez régulièrement les dépôts de poussière accumulés dans le carter moteur de l'outil électroportatif.
- Utilisez une lame de scie pour aluminium.
- Raccordez l'outil électroportatif à un aspirateur approprié en utilisant un tuyau d'aspiration antistatique.
- Pour scier des panneaux, la lame doit être graissée avec de la graisse de pétrole, des profilés aux parois minces (1/8" (3 mm)) max.) peuvent être traités sans graissage.

### 3.6 La poussière, un risque pour la santé

**AVERTISSEMENT!** certaines poussières créées par le ponçage mécanique, le sciage, le meulage, le perçage et autres activités reliées à la construction contiennent des substances chimiques connues (dans l'État de la Californie) comme pouvant causer le cancer, des anomalies congénitales ou représenter d'autres dangers pour la reproduction. Voici quelques exemples de telles substances:

- plomb provenant de peintures à base de plomb,
- silice cristallisée utilisée dans les briques, le ciment et autres matériaux de maçonnerie, et
- arsenic et chrome du bois d'oeuvre traité avec un produit chimique.



Le risque d'exposition à de tels produits varie selon la fréquence à laquelle vous faites ce genre de travail.

Pour réduire les risques

d'exposition à ces substan-

ces chimiques : travaillez dans un endroit adéquatement ventilé et utilisez un équipement de sécurité approuvé, tel que masques antipoussières spécialement conçus pour filtrer les particules microscopiques.



#### AVERTISSEMENT

**POUR RÉDUIRE LE RISQUE DE DOMMAGES, L'UTILISATEUR DOIT LIRE LE MANUEL D'INSTRUCTION.**

## 4 Utilisation conforme

Les scies plongeantes sont conçues pour scier le bois et matériaux similaires, les matières fibreuses à liant plâtre et à liant ciment ainsi que les plastiques.

Les lames de scies spéciales proposées par Festool permettent d'utiliser les outils pour scier également les métaux ferreux non trempés et les métaux non ferreux.

L'utilisation de l'outil électroportatif avec des matériaux contenant de l'amiante n'est pas autorisée.

N'utilisez pas de disques à tronçonner ni de disques abrasifs.

Cet outil électroportatif doit uniquement être utilisé par des personnes qualifiées ou ayant reçu les informations et instructions nécessaires.

**Les outils électroportatifs Festool doivent uniquement être montés sur des tables de travail prévues à cette fin par Festool.** Le montage sur d'autres tables de travail ou des tables fabriquées par l'utilisateur peut compromettre la sécurité de fonctionnement de l'outil électroportatif et provoquer de graves accidents.



L'utilisateur est responsable des dommages provoqués par une utilisation non conforme.

### 4.1 Lames de scie

Seules des lames de scie conformes aux caractéristiques suivantes sont autorisées :

- Lames de scie selon EN 847-1
- Diamètre de lame 8-1/4" (210 mm)
- Largeur de coupe 3/32" à 7/64" (2.4 - 2.6 mm)
- Alésage 1-3/16" (30 mm)
- Épaisseur de lame max. 5/64" (1.8 mm)
- Utilisable pour vitesses jusqu'à 5000 min<sup>-1</sup>

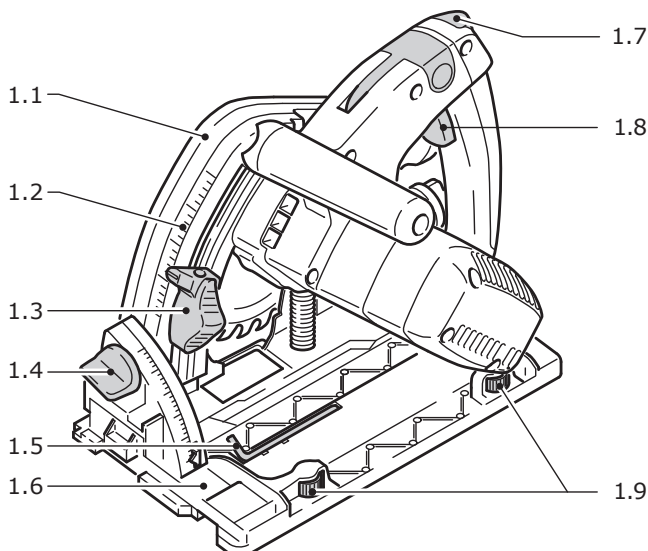
Les lames de scie Festool répondent à la norme EN 847-1.

Scier uniquement des matériaux pour lesquels la lame de scie utilisée a été conçue.

## 5 Caractéristiques techniques

Scie circulaire	TS 75 EQ
Puissance absorbée	13 A
Vitesse à vide	1350 - 4400 min <sup>-1</sup>
Inclinaison	0 - 45°
Profondeur de coupe à 90°	2-15/16" (75 mm)
Profondeur de coupe à 45°	2-1/8" (56 mm)
Diamètre de la lame	8-1/4" (210 mm)
Diamètre de la alésage	1-3/16" (30 mm)
Poids machine	13.6 lbs (6.2 kg)

## 6 Description fonctionnelle



- [1.1]** Capot de protection
- [1.2]** Vernier de profondeur de coupe
- [1.3]** Butée de profondeur de coupe
- [1.4]** Vis de blocage pour le réglage en biais
- [1.5]** Clé mâle hexagonale
- [1.6]** Table de scie
- [1.7]** Bouton de mise en marche et de déverrouillage
- [1.8]** Interrupteur marche/arrêt
- [1.9]** Jous de guidage

## 7 Mise en service



### AVERTISSEMENT

#### Tension ou fréquence non admissible !

#### Risque d'accident

- ▶ La tension et la fréquence d'alimentation électrique doivent être conformes aux indications de la plaque signalétique.
- ▶ En Amérique du nord, utiliser uniquement les machines Festool fonctionnant sous une tension de 120 V / 60 Hz.



### ATTENTION

**Échauffement du raccord plug-it si le raccord à baïonnette n'est pas complètement verrouillé**

#### Risque de brûlures

- ▶ Avant de mettre en marche l'outil électroportatif, assurez-vous que le raccord à baïonnette sur le câble de raccordement secteur est complètement fermé et verrouillé.



Toujours éteindre la machine avant de brancher ou débrancher le câble de raccordement secteur !

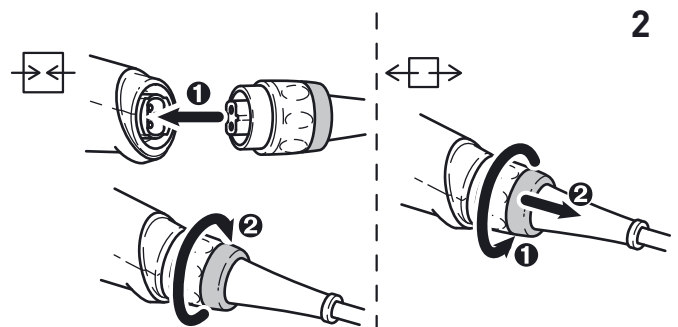
Branchement et débranchement du câble de raccordement secteur, voir figure [2].



Poussez le bouton de sécurité anti-déclenchement [1.7] vers le haut et appuyez sur l'interrupteur marche/arrêt [1.8] (pression = marche, relâchement = arrêt).

À l'actionnement du bouton de sécurité anti-déclenchement, le dispositif de plongée est déverrouillé. Le bloc de sciage peut être déplacé vers le bas. Lors du déplacement, la lame de scie sort du capot de protection.

- ⓘ Lorsque la machine est soulevée, le bloc de sciage revient à sa position de départ sous l'effet d'un ressort.



### 7.1 Rallonge

S'il est nécessaire d'utiliser une rallonge, celle-ci doit présenter une section suffisante pour éviter une perte de tension excessive ou une surchauffe. Une perte de tension excessive réduit la puissance et peut provoquer la défaillance du moteur. Le tableau ci-dessous indique le diamètre de câble approprié en fonction de la longueur de câble pour cet outil.

## Taille de câble en AWG

Intensité nominale de l'outil	Longueur de câble en pieds			
	25	50	100	150
3-6	18	16	16	14
6-8	18	16	14	12
8-10	18	16	14	12
10-12	16	16	14	12
12-16	14	12	-	-

## Taille de câble en mm<sup>2</sup>

Intensité nominale de l'outil	Longueur de câble en mètres			
	15	30	60	120
3-6	0,75	0,75	1,5	2,5
6-8	0,75	1,0	2,5	4,0
8-10	0,75	1,0	2,5	4,0
10-12	1,0	2,5	4,0	-
12-16	-	-	-	-

Utiliser uniquement des rallonges homologuées NRTL.

Ne jamais utiliser deux rallonges ensemble. Au lieu de cela, utiliser une rallonge plus longue.

**i** Plus la valeur AWG est faible, plus le diamètre du câble est élevé.

## 8 Réglages



### AVERTISSEMENT

#### Risque de blessures, décharge électrique

- Débrancher la fiche de la prise de courant avant toute intervention sur la machine !

### 8.1 Électronique

La machine dispose d'un système électronique à ondes pleines avec les propriétés suivantes :

#### Démarrage progressif

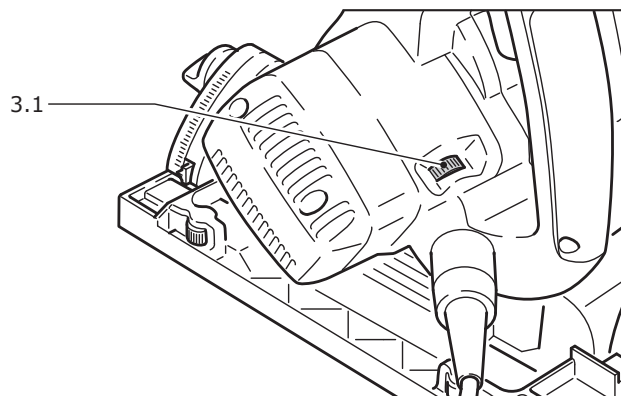
Le démarrage progressif à régulation électronique assure un démarrage sans à-coups de l'outil électroportatif.

#### Vitesse constante

Le système électronique maintient le régime du moteur à un niveau constant. La vitesse de coupe reste donc stable, même lorsque l'appareil est fortement sollicité.

## Régulation de la vitesse

La molette **[3.1]** permet un réglage continu de la vitesse dans la plage de régimes (voir Caractéristiques techniques). Il est ainsi possible d'adapter de manière optimale la vitesse de coupe au type de surface.



### Niveau de régime selon le matériau

Bois massif (dur, tendre)	6
Panneaux de particules et panneaux durs	3 - 6
Bois stratifié, panneaux lattés, contreplaqués et revêtus	6
Stratifiés, matières minérales	4 - 6
Panneaux de particules et de fibres à base de plâtre et de ciment	1 - 3
Panneaux et profilés d'aluminium jusqu'à 15 mm	4 - 6
Plastiques, plastiques renforcés aux fibres de verre, papier et tissu	3 - 5
Verre acrylique	4 - 5

### Fusible thermique

En cas de température excessive du moteur, l'alimentation électrique et la vitesse sont réduites. L'outil électroportatif fonctionne à puissance réduite afin de permettre un refroidissement rapide grâce à la ventilation du moteur. Après refroidissement, l'outil électroportatif redémarre automatiquement.

### Limitation de courant

La limitation de courant empêche une consommation électrique excessive en cas de très forte surcharge, susceptible d'entraîner une baisse de régime du moteur. Dès la disparition de la surcharge, le moteur se remet en route.

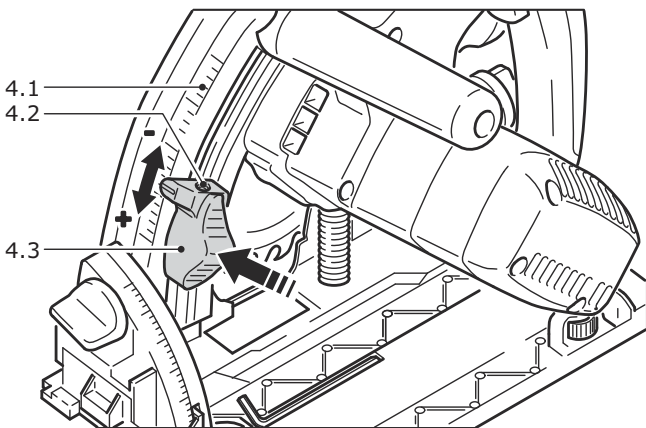
### 8.2 Profondeur de coupe

La profondeur de coupe se règle de 0 à 2-15/16" (0 - 75 mm):

- Appuyer sur la butée de profondeur de coupe **[4.3]** et la déplacer jusqu'à la profondeur de coupe souhaitée (les valeurs indiquées sur l'échelle **[4.1]** sont valables pour les coupes à 0° sans rail de guidage),
- Relâcher la butée de profondeur de coupe (la butée de profondeur de coupe s'enclenche dans des pas de 1 mm).

Le groupe de sciage ne peut être enfoncé vers le bas que jusqu'à la profondeur de sciage réglée.

- i** Il est possible de visser une vis sans tête (M4x8 à M4x12) dans le forage **[4.2]** de la butée de profondeur de coupe. La profondeur de coupe peut être réglée de manière encore plus exacte ( $\pm 0.004''$  (0.1 mm)) en tournant la vis sans tête.

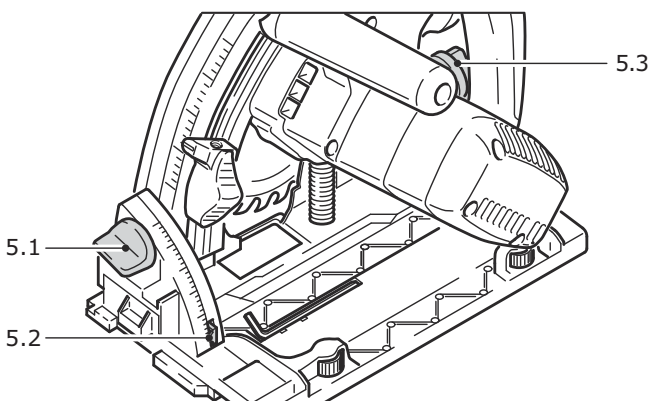


### 8.3 Angle de coupe

Le groupe de sciage peut être basculé entre 0° et 45° :

- Ouvrir les sélecteurs de fonction (**[5.1]**, **[5.3]**),
- basculer le groupe de sciage jusqu'à l'angle de coupe souhaité **[5.2]**,
- serrer à nouveau les sélecteurs de fonction.

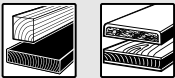

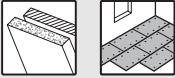
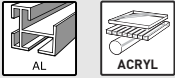
- i** Les deux positions finales (0° et 45°) sont réglées en usine et peuvent être ajustées à nouveau par le Service Après-vente.



### 8.4 Sélectionner la lame de scie

Les lames de scie Festool sont marquées d'un anneau de couleur. La couleur de l'anneau correspond à la matière à laquelle convient la lame de scie.

Respectez les exigences concernant les lames de scie (voir chapitre 4.1).

Couleur	Matériau	Symbole
Jaune	Bois	
Rouge	Stratifiés, matières minérales	
Vert	Panneaux de particules et de fibres à base de plâtre et de ciment	
Bleu	Aluminium, plastiques	

### 8.5 Remplacement de la lame de scie



#### AVERTISSEMENT

#### Risque de blessures, décharge électrique

- Débrancher la fiche de la prise de courant avant toute intervention sur la machine !



#### ATTENTION

#### Risque de blessures dû à l'outil d'usage chaud et tranchant

- Ne pas monter d'outils d'usage émoussés ou défectueux.
- Se munir de gants de protection pour manipuler l'outil d'usage.

#### Retrait de la lame de scie

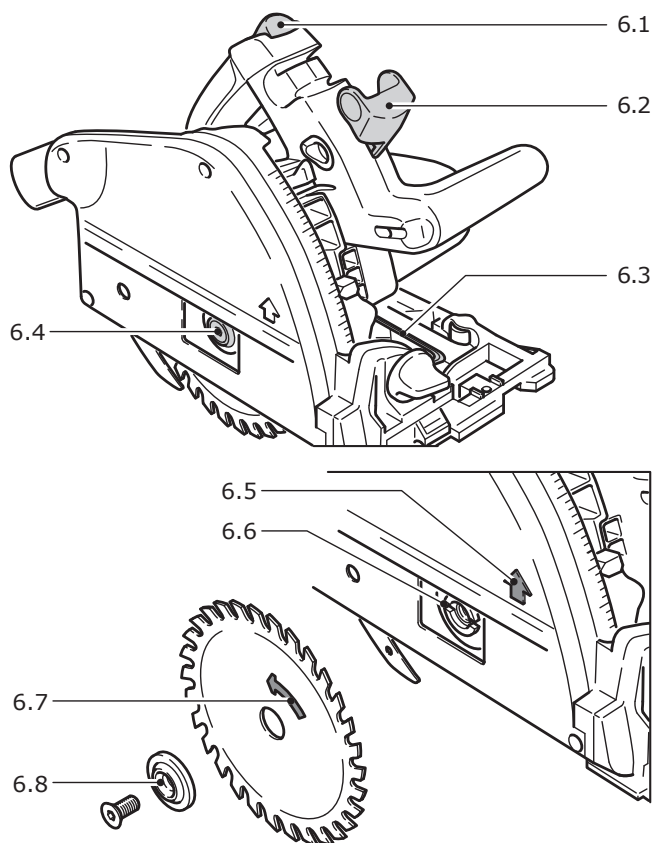
- Avant le remplacement de la lame de scie, basculez la machine en position 0° et réglez-la sur la profondeur de coupe maximale.
- Rabattez le levier **[6.2]** jusqu'en butée.
- Poussez le bouton de sécurité anti-déclenchement **[6.1]** vers le haut et abaissez le bloc de sciage jusqu'à ce qu'il s'enclenche.
- Desserrez la vis **[6.4]** avec la clé pour vis six pans creux **[6.3]**.
- Retirez la lame de scie **[6.7]**.

#### Montage de la lame de scie

**AVERTISSEMENT !** Vérifiez l'absence de saletés sur les vis et la bride et n'utilisez que des pièces propres et intactes !



- ▶ Insérez la nouvelle lame de scie.
- AVERTISSEMENT !** La lame de scie [6.7] et la scie [6.5] doivent tourner dans le même sens ! Il y a sinon un risque de blessures graves.
- ▶ Insérez la bride extérieure [6.8] de sorte que les ergots d'entraînement s'engagent dans l'évidement de la bride intérieure.
- ▶ Serrez la vis [6.4].
- ▶ Ramenez le levier [6.2] dans sa position initiale.



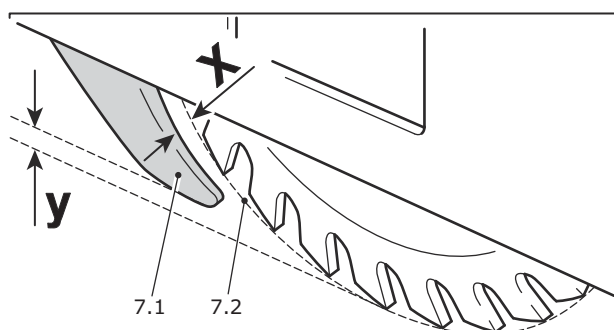
## 8.6 Guide-lame



### AVERTISSEMENT

#### Risques de blessures

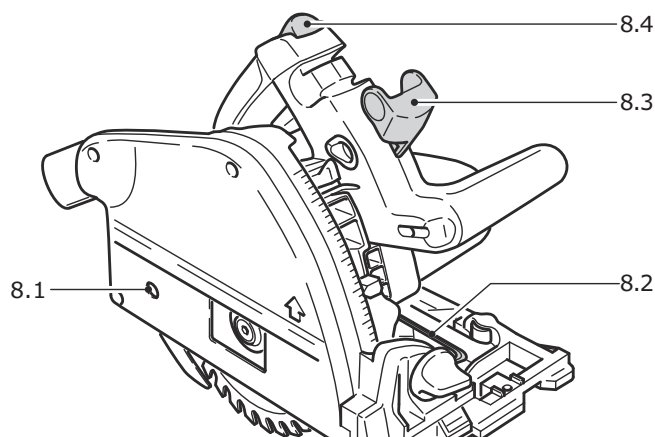
**La scie circulaire est équipée en série d'un guide-lame [7.1] Pour des raisons de sécurité, tous les travaux de sciage peuvent uniquement être réalisés avec un guide-lame monté et correctement réglé !**



Le guide-lame doit être réglé de telle manière que

- la distance entre le guide-lame et la circonférence de coupe [7.2] de la lame de scie mesure de 5/64" à 5/32" (2 - 4 mm) (cote x), et que
- la lame de scie dépasse le guide-lame de 5/64" à 5/32" (2 - 4 mm) (cote y).

### Réglage du guide-lame:



- ▶ Rabattre le levier [8.3] jusqu'à la butée,
- ▶ pousser le blocage de démarrage [8.4] vers le haut et appuyer le groupe de sciage vers le bas jusqu'à l'enclenchement,
- ▶ ouvrir la vis [8.1] avec la clé allen [8.2],
- ▶ régler le guide-lame selon chapitre 8.6
- ▶ serrer la vis [8.1],
- ▶ rabattre le levier [8.3].

## 8.7 Aspiration



### AVERTISSEMENT

#### Risques pour la santé dus aux poussières

- ▶ Ne jamais travailler sans aspirateur.
- ▶ Utiliser uniquement un aspirateur conçu pour collecter le type spécifique de poussières et particules provenant du matériau coupé.
- ▶ Respecter les réglementations de l'OSHA et de la NFPA pour garantir un environnement de travail sûr.

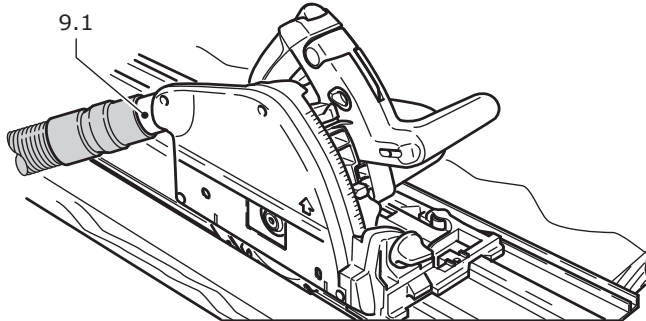
#### Aspirateur Festool

Le raccord d'aspiration permet de raccorder un aspirateur Festool équipé d'un tuyau de 1-1/16"/1-17/64" (27/32 mm) ou 1-7/16" (36 mm) de diamètre (conseil : un tuyau de 36 mm de diamètre réduit le risque de colmatage).

La pièce de raccordement d'un tuyau d'aspiration Ø 1-1/16" (27 mm) est placée dans la pièce coudée [9.1]. La pièce de raccordement d'un

tuyau d'aspiration Ø 1-7/16" (36 mm) est placée sur la pièce coudée [9.1].

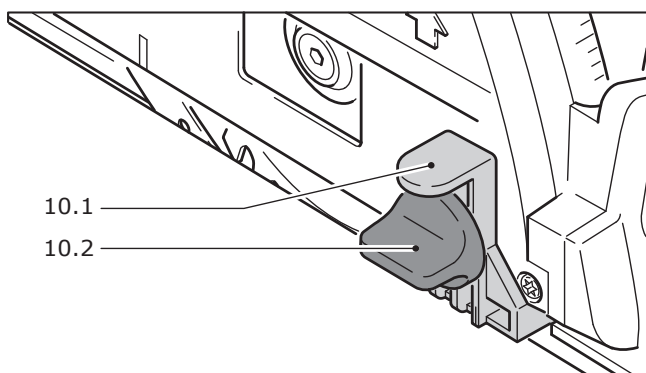
**ATTENTION !** Si vous n'utilisez pas de tuyau d'aspiration antistatique, une accumulation d'électricité statique est possible. L'utilisateur risque alors de subir un choc électrique et l'électronique de l'outil électroportatif risque d'être endommagée.



### 8.8 Monter le pare-éclats

Lors des coupes à 0°, le pare-éclats (accessoire) améliore nettement la qualité de l'arête de coupe sur la face supérieure de la pièce sciée.

- ▶ Installer le pare-éclats [10.1] sur le capot de protection,
- ▶ poser la machine sur la pièce ou sur le rail de guidage,
- ▶ abaisser le pare-éclats jusqu'à ce qu'il repose sur la pièce, puis le fixer en serrant le bouton rotatif [10.2],
- ▶ scier le pare-éclats (la machine doit être réglée sur la profondeur de coupe maximale et le niveau de vitesse 6).

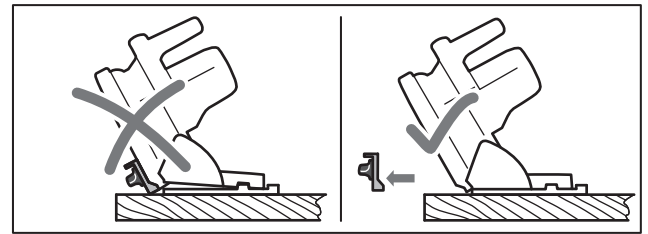


### AVERTISSEMENT

#### Risque de blessures

**Ce dernier risque de soulever la scie circulaire de la pièce et de provoquer des blessures graves.**

- ▶ N'utilisez le pare-éclats que pour les coupes à 0°. Pour les coupes en biais, enlevez toujours le pare-éclats.



## 9 Utilisation de l'outil électroportatif



Pendant l'utilisation, respectez toutes les consignes de sécurité indiquées ci-avant ainsi que les règles suivantes :

### Avant de commencer

- Vérifiez avant chaque utilisation si l'unité d'entraînement avec la lame de scie bascule bien à nouveau vers le haut jusque dans sa position d'origine dans le carter de protection. N'utilisez pas la scie si la lame ne revient pas complètement vers le haut. Ne bloquez ou ne fixez jamais l'unité d'entraînement pivotante dans une profondeur de coupe particulière. La lame de scie ne serait alors pas protégée.
- Vérifiez avant chaque utilisation le bon fonctionnement du dispositif de plongée et utilisez la machine uniquement s'il fonctionne correctement.
- Vérifier la bonne fixation de la lame de scie.
- Assurez-vous avant l'utilisation que le bouton rotatif [1.4] est serré.
- Assurez-vous que le tuyau d'aspiration et le câble secteur ne se coincent à aucun moment de la coupe, que ce soit sur la pièce, sur le support de pièce ou entre des objets sur le sol.
- Fixez toujours la pièce de manière à ce qu'elle ne puisse pas bouger pendant l'utilisation de l'outil électroportatif.
- Poser la pièce à plat et sans la soumettre à des contraintes.

### Pendant l'utilisation

- Pendant l'utilisation, **tenez toujours l'outil électroportatif des deux mains** par les poignées [11.1], [11.2]. Cela est indispensable pour un travail précis et la réalisation de coupes plongeantes. Plongez la lame dans la pièce lentement et avec un mouvement régulier.
- Guider l'outil électroportatif contre la pièce à travailler seulement quand celui-ci est activé.



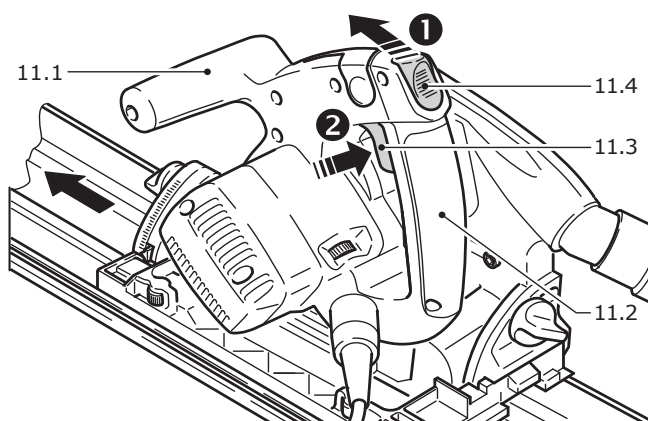
- Poussez toujours la scie vers l'avant **[13.3]**, **jamais vers l'arrière** vers vous.
- En sélectionnant une vitesse d'avance adaptée, vous évitez une surchauffe des arêtes de coupe de la lame de scie et, dans le cas de coupes de matières plastiques, une fusion du plastique. Plus le matériau à scier est dur, plus la vitesse d'avance doit être faible.
- N'utilisez pas la machine si l'électronique est défectueuse car elle peut alors se mettre à tourner à des vitesses excessives. La défectuosité du système électronique est reconnaissable à l'absence de démarrage progressif, une défaillance de la régulation de vitesse et un dégagement de fumée ou d'odeur de combustion de la machine.

### 9.1 Mise en marche et arrêt de la machine

**⚠AVERTISSEMENT** Lors de la mise en marche et en cours d'utilisation, tenez toujours la scie à deux mains à la poignée **[11.2]** et à la poignée supplémentaire **[11.1]**.

Pour mettre la scie en marche, poussez d'abord le bouton de mise en marche et de déverrouillage **[11.4]** vers l'avant et appuyez ensuite sur l'interrupteur "Marche" / "Arrêt" **[11.3]**. Vous pouvez ensuite pousser la machine vers le bas pour scier et relâcher le bouton de mise en marche et de déverrouillage.

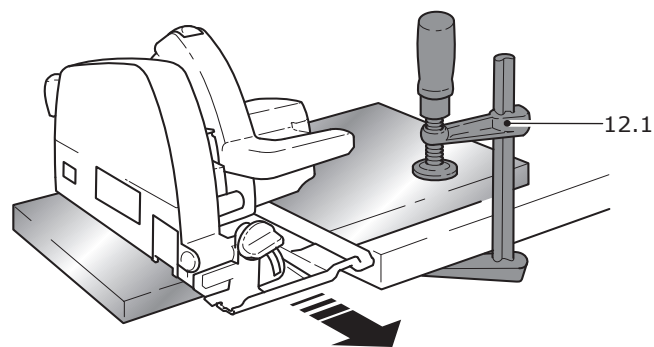
Pour arrêter la scie, relâchez l'interrupteur "Marche" / "Arrêt".



**⚠AVERTISSEMENT** Après l'arrêt de la machine, la lame de scie tourne encore quelque temps. Attention de ne pas toucher la lame de scie avec une partie du corps pendant qu'elle décélère!

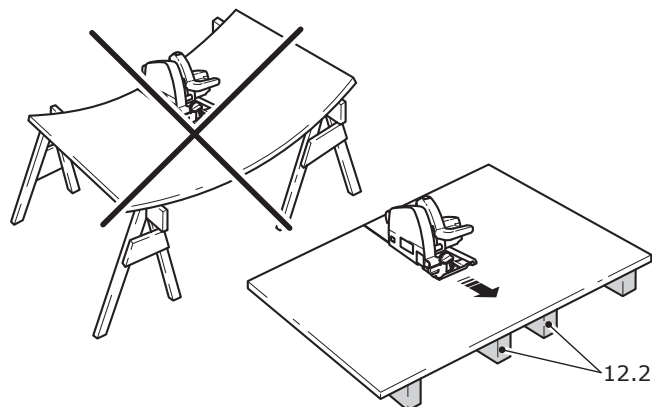
Dès que vous retirez la machine de la pièce à la fin de la coupe, elle revient brusquement dans sa position initiale et la lame de scie rentre entièrement dans le capot de protection.

### 9.2 Appui des pièces



Veillez à ce que vos pièces reposent en toute sécurité et qu'elles ne puissent pas bouger pendant le sciage. Vous vous exposez sinon à de graves risques d'accident. Ne tenez jamais la pièce à scier dans les mains ou sur vos jambes. Utilisez bien plutôt des serre-joints **[12.1]** ou d'autres équipements appropriés pour fixer votre pièce.

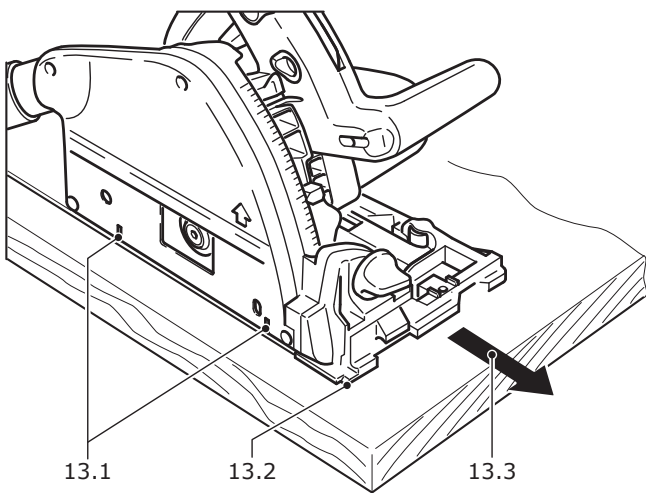
Ne posez jamais de grandes et longues pièces de telle manière qu'elles fléchissent au milieu ou à l'emplacement de la coupe. Vous risquez sinon de coincer la lame de scie et de provoquer un contrecoup. Calez plutôt la pièce avec plusieurs baguettes de bois **[12.2]**, notamment à proximité de l'emplacement de la coupe.



### 9.3 Travaux de sciage

**⚠AVERTISSEMENT** Avant de commencer la coupe, la machine doit avoir atteint sa pleine vitesse et doit seulement être coupée après la fin de la coupe.

**⚠AVERTISSEMENT** Sciez uniquement en sens opposé (poussez la scie circulaire vers l'avant, **[13.3]** jamais dans le même sens (en tirant la scie en arrière). Le sciage dans le même sens risque de faire sortir la scie de la fente de coupe (contrecoup) et peut provoquer de graves blessures.

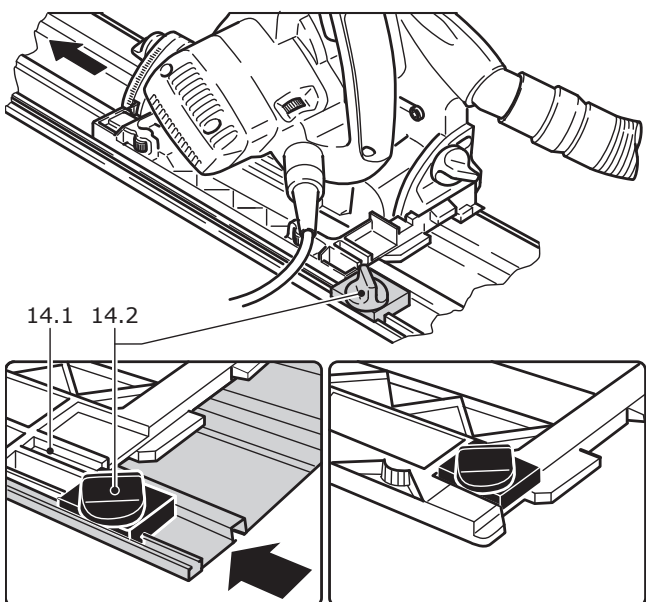


### A) Sciage de coupes

- ▶ Placez la partie avant de la table de scie sur la pièce. L'affichage de coupe **[13.2]** indique le déroulement de coupe en pas de 0° et 45° (sans rail de guidage).
- ▶ Mettez la machine en marche et enfoncez la scie à la profondeur de coupe réglée.
- ▶ Poussez la machine vers l'avant dans le sens de la coupe. Veillez à ce que la table de scie repose toujours fortement sur la pièce.
- ▶ Arrêtez la machine à la fin de la coupe.

### B) Coupes en plongée

**AVERTISSEMENT** Pour éviter des chocs en arrière, veuillez suivre absolument les remarques suivantes pour les coupes plongeantes :



- Placer toujours l'outil avec l'arête arrière de la table de sciage contre une butée fixe.
- Pour travailler avec le rail de guidage, maintenir l'outil contre la butée **[14.2]**, collée au rail de guidage. En cas de non utilisation garder la butée contre la plaque de guidage **[14.1]** de l'outil.

- Tenir la machine en toute sécurité avec les deux mains et la faire plonger seulement lentement.

### Marche à suivre

- ▶ Poser l'outil sur la pièce à travailler et placer une butée (blocage de chocs en arrière),
- ▶ brancher l'outil,
- ▶ enfoncer lentement sur la profondeur de coupe réglée et avancer en direction de la coupe.

*Les marquages **[13.1]** indiquent le point de coupe le plus en avant et le plus en arrière de la lame de scie (Ø 8-1/4" (210 mm)) pour une profondeur de coupe maximale et en utilisant le rail de guidage.*

## 10 Maintenance et entretien



### AVERTISSEMENT

**Tout travail de maintenance ou de réparation, qui nécessite l'ouverture du moteur ou du carter d'engrenages doit uniquement être effectué par un centre service-client autorisé (nom fourni par votre revendeur) !**

- ▶ Les travaux de maintenance ou de réparation effectués par un personnel non autorisé peuvent conduire à la mauvaise connexion de câbles d'alimentation ou d'autres composants, ce qui peut entraîner à son tour des accidents avec des conséquences graves.



### AVERTISSEMENT

**Pour éviter les accidents, retirez toujours la fiche mâle de la prise d'alimentation électrique avant d'effectuer tout travail de maintenance ou de réparation sur la machine !**

- ▶ N'utilisez pas d'air comprimé pour nettoyer l'outil électrique ! N'essayez pas de nettoyer des parties à l'intérieur de la machine de cette façon, étant donné que des corps étrangers pourraient pénétrer dans les ouvertures du carter de la machine.



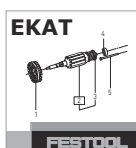
## ATTENTION

### Certains produits nettoyants et solvants sont nocifs pour les pièces en plastique.

- Quelques exemples de produit nocif : essence, acétone, méthyléthylcétone (MEK), chlorure de carbonyle, solutions nettoyantes contenant du chlore, de l'ammoniac et les produits ménagers contenant de l'ammoniac.



**Service après-vente et réparation** uniquement par le fabricant ou des ateliers homologués. Pour trouver l'adresse la plus proche : [www.festoolusa.com/service](http://www.festoolusa.com/service)



Utiliser uniquement des pièces détachées Festool d'origine ! Réf. sur : [www.festoolusa.com/service](http://www.festoolusa.com/service)

### Respecter les consignes suivantes :

- Sauf indication contraire dans la notice d'utilisation, les dispositifs de protection et pièces endommagés (p. ex. un levier de changement d'outil **[6.2]**) doivent être réparés ou remplacés dans les règles de l'art par un atelier spécialisé agréé.
- Contrôlez l'état et le bon fonctionnement du ressort de rappel qui ramène l'unité d'entraînement complète dans la position de butée supérieure protégée.
- Pour garantir la circulation de l'air, les ouïes de ventilation sur le boîtier doivent toujours rester propres et dégagées.
- Aspirez tous les orifices pour retirer les éclats et copeaux de l'outil électroportatif. N'ouvrez jamais le couvercle de protection **[1.1]**.
- En cas d'utilisation sur des panneaux de fibres à liant plâtre et à liant ciment, nettoyer très soigneusement l'appareil. Nettoyez les ouvertures de ventilation de l'outil électroportatif et de l'interrupteur marche/arrêt avec de l'air comprimé sec et sans huile. Sinon, de la poussière contenant du plâtre peut se déposer dans le boîtier de l'outil électroportatif de même que sur l'interrupteur marche/arrêt, puis durcir sous l'effet de l'humidité de l'air. Ceci peut compromettre le bon fonctionnement du mécanisme de commutation

## 11 Accessoires

Utilisez uniquement les accessoires Festool et consommables Festool d'origine prévus pour cette machine, car ces composants systèmes sont parfaitement adaptés les uns par rapport aux autres. Si vous utilisez des accessoires et consommables d'autres marques, la qualité du résultat peut être dégradée et les recours en garantie peuvent être soumis à des restrictions. L'usure de la machine ou votre charge personnelle peuvent augmenter selon chaque application. Pour cette raison, protégez-vous, votre machine et vos droits à la garantie en utilisant exclusivement des accessoires Festool et des consommables Festool d'origine !

Les références des accessoires et des outils figurent dans le catalogue Festool ou sur Internet sous "[www.festoolusa.com](http://www.festoolusa.com)".

### 11.1 Guide parallèle, élargisseur de table

Il est possible d'utiliser un guide parallèle pour des largeurs de coupes de 7-1/16" (180 mm) maxi. Le guide parallèle peut être également utilisé comme élargisseur de table.

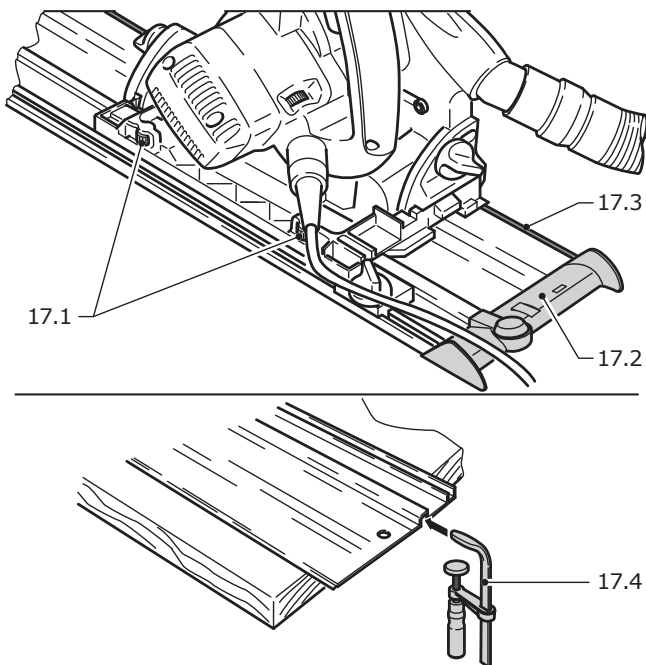
### 11.2 Système de guidage

Les rails de guidage disponibles dans différentes longueurs permettent des coupes précises et nettes et protègent parallèlement la surface de la pièce de dommages. Les nombreux accessoires ajoutés au système de guidage permettent d'effectuer des coupes en biais, des coupes d'onglet et des travaux d'ajustage exacts

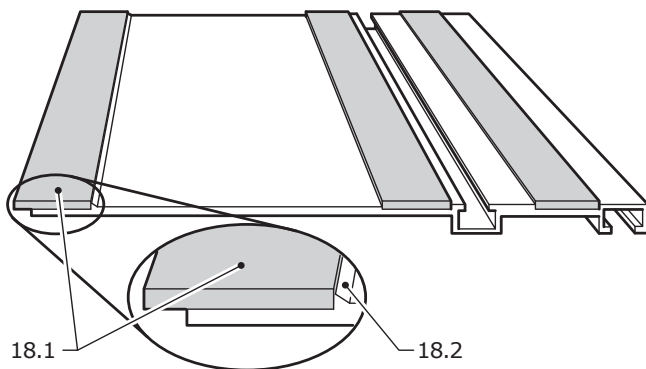
La possibilité de fixation au moyen de serre-joints **[17.4]** garantit un maintien fixe et un travail en toute sécurité. Le déflecteur (optionnel) **[17.2]** empêche tout coincement du fil ou du tuyau en bout de rail de guidage.

Le jeu de guidage de la table de sciage sur les rails de guidage peut être réglé avec les deux touches de réglage **[17.1]**.

Les rails de guidage sont dotés d'un pare-éclats **[17.3]**, **[18.1]**, qui empêche la détérioration des bords en appuyant vers le bas contre la surface de la pièce pour compenser le mouvement vers le haut des dents de la lame. Avant la première utilisation, le pare-éclats doit être coupé à la bonne longueur:



- ❗ Pour entailler le pare-éclats, posez le rail de guidage sur une chute de bois.
- Régler la vitesse de l'outil sur le niveau 6,
  - placer l'outil à l'extrémité arrière du rail de guidage,
  - brancher l'outil, l'enfoncer vers le bas jusqu'à la profondeur de coupe réglée et scier le pare-éclats sur toute la longueur sans arrêter. L'arête du pare-éclats correspond exactement à l'arête de coupe.



Tout pare-éclats endommagé ou usagé doit être remplacé :

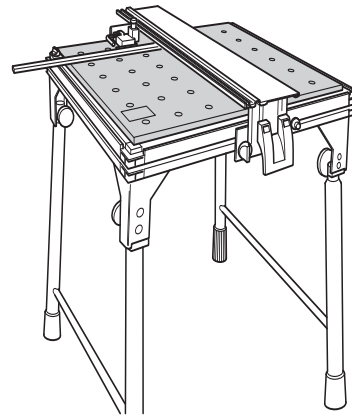
- Retirer le pare-éclats d'origine **[18.1]** de la glissière de guidage.
- Si nécessaire, éliminer du rail de guidage les restes de colle et les restes de pare-éclats.
- Retirer la protection plastique de la bande de colle du nouveau pare-éclats.
- Positionner le nouveau pare-éclats avec précaution le long du bossage **[18.2]** du dessous de la glissière de guidage sans étirer le caoutchouc.
- Pressez le pare-éclats fermement contre la glissière de guidage.

- Coupez le pare-éclats à la bonne longueur, comme indiqué précédemment.

- ❗ Pour entailler le pare-éclats, posez le rail de guidage sur une chute de bois.

### 11.3 Table multifonctions

La table multifonctions MFT/3 permet de serrer facilement les pièces à travailler et de traiter des pièces de petite et grande taille de manière sûre et précise. Les possibilités variées d'utilisation rendent le travail économique et facile du point de vue ergonomique.



### 11.4 Lames de scie, autres accessoires

Afin de pouvoir découper rapidement et proprement différents matériaux, Festool vous propose des lames de scie spécialement adaptées à votre scie circulaire à main Festool et à tous les cas d'utilisation.

### 11.5 Revêtement latéral, ajourage

Le revêtement monté latéralement sur le capot de protection améliore l'efficacité de l'aspiration pour des coupes 0°.

Le revêtement peut être utilisé parallèlement comme guide d'ajourage pour des largeurs d'ajourage à partir de 3/4" (18 mm).

### 11.6 SYSTAINER

#### Systainer


De nombreux produits Festool sont fournis dans une caisse exclusive, appelée "Systainer". Celle-ci permet de protéger et de ranger des outils et des appareils complémentaires. Les Systainer sont empilables et peuvent être solidarisés. En outre, il se fixent sur les aspirateurs CT Festool.

#### Pour ouvrir le Systainer



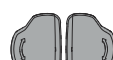
Tournez le T-loc **[SYS-b-1]** à cette position.

### Pour fermer le Systainer

 Tournez le T-loc **[SYS-b-1]** à cette position.

### Pour connecter deux Systainers

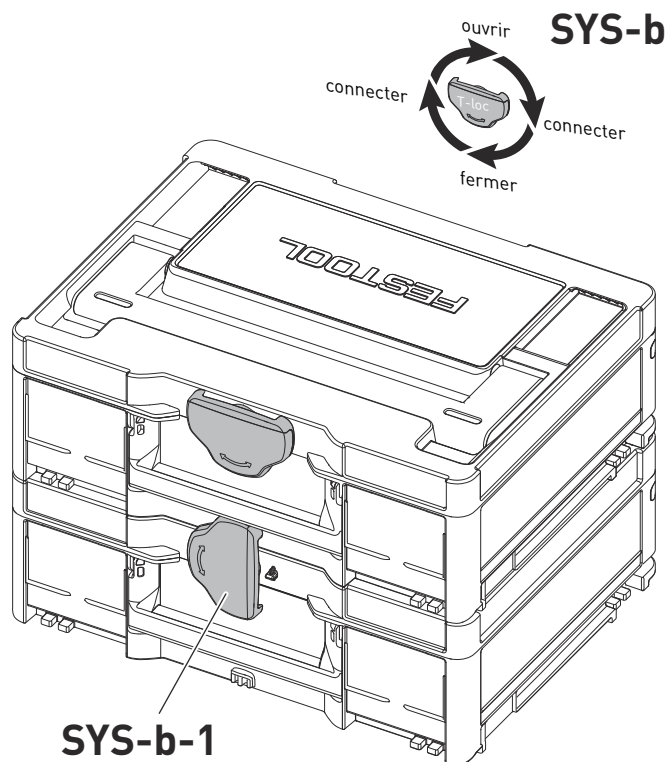
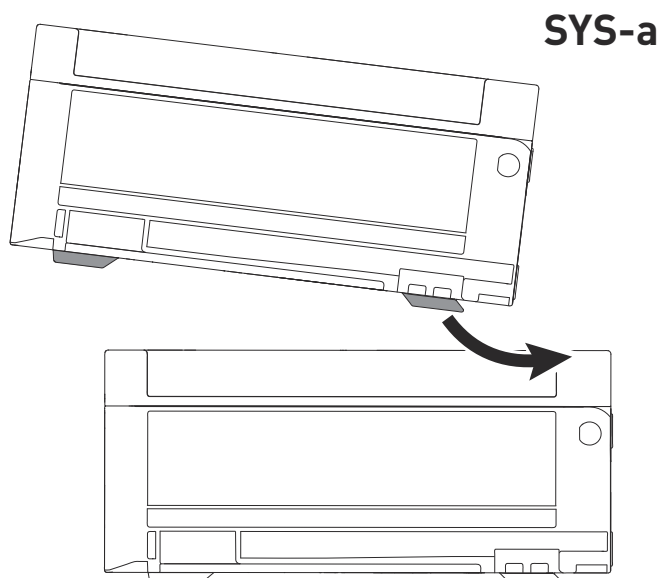
Placez un Systainer au dessus de l'autre **[SYS-a]**.

 Tournez le T-loc **[SYS-b-1]** à une de cette positions (Fig. **[SYS-b]**).

Les Systainers sont combinés.

**i** Un Systainer Classic Line peut être relié par en bas à un Systainer T-Loc ou à un Systainer<sup>3</sup> avec ses quatre éléments de verrouillage

Un Systainer T-Loc peut être relié à un Systainer<sup>3</sup> à la fois par le bas et par le haut.



## 12 Environnement

**Ne jetez pas l'appareil avec les ordures ménagères !** Eliminez l'appareil, les accessoires et les emballages de façon compatible avec l'environnement. Respectez les prescriptions nationales en vigueur.






## Índice de contenidos

1	Sobre este manual.....	35
2	Símbolos.....	35
3	Indicaciones de seguridad.....	36
4	Uso conforme a lo previsto.....	41
5	Datos técnicos.....	41
6	Descripción del funcionamiento.....	42
7	Puesta en servicio.....	42
8	Ajustes.....	43
9	Trabajo con la herramienta eléctrica.....	46
10	Mantenimiento y limpieza.....	48
11	Accesorios.....	49
12	Medio ambiente.....	51






## 1 Sobre este manual

### Guarde estas instrucciones

Es importante que usted lea y entienda este manual. La información que contiene se relaciona con la protección de **su seguridad y la prevención de problemas**. Los símbolos que siguen se utilizan para ayudarlo a reconocer esta información.

	<b>PELIGRO</b>	Descripción de peligro inminente y fracaso para evitar riesgos que podran causar la muerte.
	<b>ADVERTENCIA</b>	Descripción de peligro y posibles lesiones resultantes o la muerte.
	<b>PRECAUCIÓN</b>	Descripción de peligro y posibles lesiones resultantes.
	<b>AVISO</b>	Descripción de los posibles daños en el dispositivo o en su entorno.

## 2 Símbolos

	Aviso de peligro general
	Peligro de electrocución
	¡Leer el manual de instrucciones y las indicaciones de seguridad!
	Utilizar protección respiratoria.
	Utilizar guantes de protección al cambiar de herramienta y al trabajar con materiales ásperos.



Usar protección para los oídos



Utilizar gafas de protección



Sentido de giro de la sierra y de la hoja de sierra



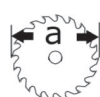
Conexión del cable de conexión a la red eléctrica



Desconexión del cable de conexión a red



Sentido de giro de la sierra y de la hoja de sierra



Medidas de la hoja de serrar a ... Diámetro



Freno electrodinámico de marcha por inercia



Sistema electrónico con número de revoluciones constante y control de temperatura



Clase de protección II



Consejo, indicación



Guía de procedimiento



**PELIGRO** Mantenga las manos y el cuerpo alejados de la espada y a un lado de ella. El contacto con la espada provocará heridas graves.

**ADVERTENCIA** Compruebe el sistema de seguridad. Debe cubrir la espada en el acto. Sujete la sierra con ambas manos. Tarea de apoyo y sujeción.

W vatios

V voltios

A amperios

Hz hertzios

~ tensión alterna


a.c.

$n_0$  revoluciones por minuto en vacío

"	pulgada
mm	milímetro
lb.	libras
kg	kilogramo
°	grado angular
∅	diámetro

### 3 Indicaciones de seguridad

#### 3.1 Indicaciones de seguridad generales para herramientas eléctricas

 **¡ADVERTENCIA!** Leer todas las indicaciones de seguridad, instrucciones, ilustraciones y datos técnicos que acompañan a esta herramienta eléctrica. Si no se cumplen debidamente las instrucciones siguientes, puede producirse una descarga eléctrica, quemaduras o lesiones graves.

**Guarde todas las indicaciones de seguridad e instrucciones para que sirvan de futura referencia.**

El término «herramienta eléctrica» empleado en las indicaciones de seguridad hace referencia a herramientas eléctricas conectadas a la red eléctrica (con un cable de red) o a herramientas eléctricas alimentadas con batería (sin cable de red).

#### 1 SEGURIDAD EN EL LUGAR DE TRABAJO

- Mantenga su zona de trabajo limpia y bien iluminada.** El desorden o la falta de iluminación en las zonas de trabajo pueden dar lugar a accidentes.
- No trabaje con la herramienta eléctrica en entornos potencialmente explosivos donde se encuentren líquidos, gases o polvos inflamables.** Las herramientas eléctricas producen chispas que pueden inflamar el polvo o los vapores.
- Mantenga a niños y adultos alejados de la herramienta eléctrica durante el uso.** Si se distrae, puede perder el control de la herramienta eléctrica.

#### 2 SEGURIDAD ELÉCTRICA

- El conector de la herramienta eléctrica debe encajar en el enchufe. El conector no debe modificarse en modo alguno. No utilice conectores adaptadores con herramientas eléctricas con puesta a tierra.** Unos conectores intactos y unos enchufes

adecuados reducen el riesgo de descarga eléctrica.

- Evite el contacto físico con superficies con puesta a tierra como las de tuberías, calefacciones, cocinas y frigoríficos.** Existe un riesgo elevado de descarga eléctrica si su cuerpo está en contacto con la tierra.
- Mantenga las herramientas eléctricas lejos de la lluvia y la humedad.** La penetración de agua en una herramienta eléctrica aumenta el riesgo de descarga eléctrica.
- No utilice el cable de conexión para transportar o colgar la herramienta eléctrica ni para extraer el conector del enchufe. Mantenga el cable de conexión alejado del calor, aceite, cantos afilados o piezas en movimiento.** Los cables de conexión dañados o enredados aumentan el riesgo de descarga eléctrica.
- Si trabaja con una herramienta eléctrica al aire libre, utilice únicamente alargadores aptos para el uso en exteriores.** El empleo de alargadores aptos para el uso en exteriores reduce el riesgo de descarga eléctrica.
- Cuando sea inevitable el uso de la herramienta eléctrica en un entorno húmedo, utilice un interruptor diferencial.** El uso de un interruptor diferencial reduce el riesgo de que se produzca una descarga eléctrica.

#### 3 SEGURIDAD DE LAS PERSONAS

- Sea cuidadoso, preste atención a lo que está haciendo y actúe con prudencia al trabajar con herramientas eléctricas. No utilice ninguna herramienta eléctrica si está cansado o bajo los efectos de drogas, alcohol o medicamentos.** Una mínima distracción mientras está utilizando la herramienta eléctrica puede ocasionarle graves lesiones.
- Lleve puesto el equipo de protección individual y utilice gafas de protección en todo momento.** El empleo del equipamiento de protección personal como p. ej. mascarilla, guantes de seguridad antideslizantes, casco o protección de oídos, según el tipo y la aplicación de la herramienta eléctrica, reduce el riesgo de lesiones.
- Evite un arranque accidental de la herramienta. Asegúrese de que está desconectada antes de conectarla al suministro de corriente o la batería, recogerla o transportarla.** Existe peligro de accidente si transporta la herramienta eléctrica con el



- dedo sobre el interruptor o si conecta la herramienta eléctrica a la red estando encendida.
- d. **Retire las herramientas de ajuste y las llaves de tornillos antes de conectar la herramienta eléctrica.** Si una herramienta o llave se encuentra en una pieza en movimiento de la herramienta eléctrica, pueden producirse lesiones.
  - e. **Evite una postura anormal del cuerpo. Procure un apoyo seguro y mantenga el equilibrio en todo momento.** De esta manera podrá controlar mejor la herramienta eléctrica en situaciones inesperadas.
  - f. **Utilice ropa adecuada. No utilice ropa ancha ni objetos de joyería o bisutería. Mantenga el pelo y la ropa alejados de las piezas en movimiento.** La ropa holgada, las joyas o el pelo largo pueden quedar atrapados por piezas en movimiento.
  - g. **Si se montan dispositivos de aspiración o recogida de polvo, estos deberán conectarse y utilizarse correctamente.** El empleo de un sistema de aspiración del polvo puede disminuir los peligros a causa del polvo.
  - h. **No se cree un falso sentido de la seguridad ni ignore las normas de seguridad de las herramientas eléctricas, ni siquiera si está muy familiarizado con el uso de la herramienta.** Una distracción durante el manejo puede derivar en graves lesiones en cuestión de pocas fracciones de segundo.
- niños. No permita que la herramienta eléctrica sea utilizada por personas que no estén familiarizadas con ella o no hayan leído las presentes indicaciones.** Las herramientas eléctricas en manos inexpertas pueden ser peligrosas.
- e. **Trate las herramientas eléctricas y las herramientas intercambiables con cuidado. Compruebe si las partes móviles funcionan correctamente y no se atascan, y si hay piezas rotas o tan deterioradas que podrían mermar el funcionamiento de la herramienta eléctrica. Haga reparar las piezas deterioradas antes de usar la herramienta eléctrica.** Muchos accidentes tienen su origen en un mantenimiento deficiente de las herramientas eléctricas.
  - f. **Mantenga las herramientas cortantes limpias y afiladas.** Las herramientas cortantes bien cuidadas con aristas de corte afiladas se atascan menos y se guían más fácilmente.
  - g. **Utilice la herramienta eléctrica, las herramientas intercambiables, etc., de acuerdo con estas instrucciones. Para ello, tenga en cuenta las condiciones de trabajo y la actividad que debe realizar.** El uso de herramientas eléctricas en aplicaciones diferentes a las previstas puede dar lugar a situaciones peligrosas.
  - h. **Mantenga las superficies de agarre y los mangos secos, limpios y libres de aceite y grasa.** Un mango o unas superficies de agarre resbaladizas no permiten un manejo y control seguros de la herramienta eléctrica en situaciones imprevistas.

#### 4 USO Y MANEJO DE LA HERRAMIENTA ELÉCTRICA


- a. **No sobrecargue la herramienta eléctrica. Utilice la herramienta eléctrica adecuada para el trabajo que va a realizar.** Con la herramienta apropiada trabajará mejor y más seguro en el rango de potencia especificado.
- b. **No utilice ninguna herramienta eléctrica cuyo interruptor esté defectuoso.** Una herramienta eléctrica que no se pueda conectar o desconectar resulta peligrosa y es necesario repararla.
- c. **Extraiga el conector del enchufe o retire la batería extraíble antes de efectuar los ajustes de la herramienta, cambiar piezas o guardar la herramienta eléctrica.** Esta medida de seguridad impide el arranque accidental de la herramienta eléctrica.
- d. **Mantenga las herramientas eléctricas que no esté utilizando fuera del alcance de los**

#### 5 SERVICIO

- a. **Encargue la reparación de su herramienta eléctrica únicamente a personal técnico cualificado y solo con piezas de recambio originales.** De esta forma queda garantizada la seguridad de la herramienta eléctrica.
- b. **Utilice exclusivamente piezas originales para la reparación y el mantenimiento de la herramienta.** El uso de accesorios o piezas de recambio no previstos puede producir descargas eléctricas o lesiones.

## 3.2 Indicaciones de seguridad específicas para sierras circulares

### Procedimiento de corte

-  **¡PELIGRO! No introduzca las manos en la zona de serrado ni las acerque a la hoja de sierra. Sujete el mango adicional o la carcasa del motor con la mano que queda libre.** Si se sujeta la sierra circular con ambas manos, la hoja de sierra no podrá dañarlas.
- **No agarre la pieza de trabajo por debajo.** La caperuza de protección no puede protegerle de la hoja de sierra por debajo de la pieza de trabajo.
- **Ajuste la profundidad de corte según el grosor de la pieza de trabajo.** Por debajo de la pieza de trabajo debe quedar a la vista menos que una altura completa de diente.
- **Nunca sujete la pieza de trabajo que va a serrar con la mano o sobre la pierna. Fije la pieza de trabajo en un alojamiento estable.** Es muy importante fijar correctamente la pieza de trabajo para minimizar los riesgos de contacto con el cuerpo, los atascos de la hoja de sierra o la pérdida de control.
- **Al realizar trabajos en los que la herramienta pudiera entrar en contacto con cables eléctricos ocultos o con el propio cable de conexión, sujete la herramienta eléctrica por las superficies de agarre aisladas.** El contacto con una línea electrificada hace que las piezas metálicas de la herramienta eléctrica se vean sometidas a tensión y que se produzca una descarga eléctrica.
- **Utilice siempre un tope o una guía de canto recta cuando realice cortes longitudinales.** Esto mejora la precisión del corte y reduce las posibilidades de que la hoja de sierra se atasque.
- **Utilice siempre hojas de sierra con el debido tamaño y con un taladro de alojamiento adecuado (p. ej. romboidal o redondo).** Las hojas de sierra no compatibles con las piezas de montaje de la sierra tienen una marcha descentrada y causan pérdida de control.
- **Nunca utilice bridas tensoras o tornillos de hojas de sierra dañados o incorrectos.** Las bridas tensoras y los tornillos de hojas de sierra han sido fabricados especialmente para su sierra con el propósito de obtener un rendimiento y una seguridad de servicio óptimos.

### Contragolpe: causas e indicaciones de seguridad al respecto

- Un contragolpe es una reacción inesperada de una hoja de sierra que se engancha, se bloquea o se ha alineado incorrectamente, lo cual puede producir que la sierra se salga de la pieza de trabajo de manera descontrolada y se desvíe hacia el operario;
- la hoja de sierra se bloquea al engancharse o atascarse en la ranura de serrado que se va estrechando y la fuerza del motor sacude la máquina hacia atrás en dirección al operario;
- si la hoja de sierra se tuerce o se alinea incorrectamente, los dientes de la parte posterior de la hoja de la sierra pueden engancharse en la superficie de la pieza de trabajo, de manera que la hoja de sierra sale de la ranura y salta hacia atrás en dirección al operario.

El contragolpe es la consecuencia de un uso incorrecto o inapropiado de la sierra. Puede evitarse si se siguen unas medidas de precaución adecuadas como las que se describen a continuación.

- **Sujete la sierra con ambas manos y coloque los brazos de tal modo que le permitan hacer frente a la fuerza de un posible contragolpe. Colóquese siempre en un lateral de la hoja de sierra, no la sitúe en línea con su cuerpo.** En caso de contragolpe la sierra circular puede saltar hacia atrás; sin embargo, el operario puede controlar la fuerza del contragolpe si aplica unas medidas adecuadas.
- **Si la hoja de sierra se engancha o desea interrumpir el trabajo, suelte el interruptor de conexión y desconexión y sujete la sierra dentro del material tranquilamente hasta que la hoja de sierra se detenga completamente. No intente retirar la sierra de la pieza de trabajo o tirar de la sierra hacia atrás mientras la hoja de sierra se esté moviendo, pues podría producirse un contragolpe.** Averigüe y subsane el motivo por el que la hoja de sierra se ha enganchado.
- **Cuando desee reanudar el trabajo con una sierra que se encuentre dentro de una pieza de trabajo, centre la hoja de sierra en la ranura de serrado y compruebe que los dientes de la sierra no se hayan en-**

- **ganchado en la pieza de trabajo.** Si la hoja de sierra se hubiera enganchado, puede salirse de la pieza de trabajo u ocasionar un contragolpe al volver a arrancarla.
- **Cuando trabaje con paneles grandes, apuntáelos para reducir el riesgo de que se produzca un contragolpe por el enganche de una hoja de sierra.** Los paneles grandes pueden combarse por su propio peso. Los paneles deben apuntalarse por ambos lados, tanto cerca de la ranura de serrado como en el canto.
- **No utilice hojas de sierra romas o dañadas.** Las hojas de sierra con dientes romos o mal alineados producen, a causa de una ranura de serrado demasiado estrecha, un rozamiento mayor, el bloqueo de la hoja de sierra y contragolpes.
- **Antes de comenzar a serrar, fije los ajustes de profundidad y los ángulos de corte.** Si durante las tareas de serrado se modifican los ajustes, la hoja de sierra puede bloquearse y podría causar un contragolpe.
- **Tenga especial precaución al realizar cortes de incisión en muros o en otras zonas que no pueda examinar.** La hoja de sierra que realiza la incisión puede bloquearse al serrar objetos ocultos y causar un contragolpe.

#### Funciones de la caperuza de protección

- **Antes de cada uso compruebe que la caperuza de protección se cierra correctamente. No utilice la sierra si la caperuza de protección no ofrece movilidad y no se cierra de inmediato. No bloquee ni inmovilice la caperuza de protección; de lo contrario, la hoja de sierra quedaría desprotegida.** Si la sierra cae al suelo por accidente, la caperuza de protección puede deformarse. Asegúrese de que la caperuza se mueve sin dificultad y que no entra en contacto con la hoja de sierra ni con otras piezas en ningún ángulo o profundidad de corte.
- **Compruebe el estado y el funcionamiento del resorte de la caperuza de protección. No utilice la herramienta si la caperuza de protección y el resorte no funcionan correctamente.** Las piezas dañadas, los residuos pegajosos o la acumulación de virutas hacen que la caperuza de protección funcione de forma retardada.
- **Al realizar un corte de incisión no rectangular, asegure la placa base de la sierra para evitar que se produzcan desplaza-**

**mientos laterales.** Un desplazamiento lateral podría bloquear la hoja de sierra, lo que causaría un contragolpe.

- **No coloque la sierra en la mesa de trabajo o en el suelo sin haber comprobado que la caperuza de protección cubre la hoja de sierra.** Una hoja de sierra sin protección que marcha por inercia mueve la sierra en sentido contrario al corte y sierra todo lo que está en su camino. Tener en cuenta el tiempo de marcha por inercia de la sierra.

#### Función de la cuña de partir

- **Utilice la hoja de sierra apropiada para la cuña de partir.** Para que la cuña de partir sea efectiva, el disco de soporte de la hoja de sierra debe ser más fino que la cuña de partir y el ancho del dentado debe ser mayor que el grosor de la cuña.
- **Ajuste la cuña de partir tal y como se describe en este manual de instrucciones.** Si la cuña de partir no evita eficazmente un contragolpe, puede deberse a que el grosor, la posición y/o la alineación son incorrectas.
- **Para que la cuña de partir pueda cumplir con su función, debe encontrarse en la ranura de serrado.** La cuña de partir no es efectiva para evitar contragolpes cuando se realizan cortes pequeños.
- **No utilizar la sierra cuando la cuña de partir esté torcida.** Incluso una avería sin importancia podría ralentizar el cierre de la caperuza de protección.

### 3.3 Indicaciones de seguridad para la hoja de sierra premontada

#### Utilización

- No debe excederse del n.º de revoluciones máximo indicado en la hoja de sierra; debe respetarse el intervalo de revoluciones.
- La hoja de sierra premontada está concebida para utilizar exclusivamente en sierras circulares.
- Las tareas de embalaje, desembalaje y manipulación de la herramienta (p. ej. montaje en la máquina) deben realizarse con sumo cuidado. Existe peligro de lesión por la presencia de aristas de corte muy afiladas.
- El uso de guantes de protección al manejar la herramienta incrementa la seguridad de agarre y reduce aun más el riesgo de sufrir lesiones.

- Las hojas de sierra circulares que presenten grietas deben cambiarse de inmediato. Queda prohibida la reparación.
- No pueden seguir utilizándose hojas de sierra en versión compuesta (dientes de sierra soldados) con grosores de diente inferiores a 1 mm.
- No deben utilizarse herramientas con grietas visibles, con aristas de corte romas o dañadas.

### Montaje y fijación


- Las herramientas deben sujetarse de manera que no se suelten durante el funcionamiento.
- Durante el montaje de las herramientas, es preciso asegurarse de que la sujeción se realiza en el buje de la herramienta o en la superficie de sujeción de la herramienta, y de que las cuchillas no entran en contacto entre sí ni con los elementos de sujeción.
- No está permitido alargar la llave ni apretar los tornillos dando golpes con un martillo.
- Debe limpiarse la suciedad, la grasa, el aceite y el agua de las superficies de sujeción.
- Los tornillos de sujeción deben apretarse observando las instrucciones del fabricante.
- Para ajustar el diámetro de orificio de las hojas de sierra al diámetro del husillo de la máquina solo pueden utilizarse anillos fijos, p. ej., anillos engastados o fijados mediante unión adhesiva. No está permitido utilizar anillos sueltos.

### Mantenimiento y cuidado

- Las reparaciones y los trabajos de lijado deben quedar estrictamente reservados a talleres del servicio posventa o a expertos.
- No debe modificarse la construcción de la herramienta.
- Eliminar la resina y limpiar periódicamente la herramienta (producto de limpieza con pH entre 4,5 y 8).
- Las aristas de corte romas pueden reafilarse en la superficie de sujeción hasta un grosor de filo mínimo de 1 mm.
- El transporte de la herramienta debe realizarse solo en un embalaje adecuado: ¡peligro de lesiones!


### 3.4 Otras indicaciones de seguridad



- **Es imprescindible utilizar los equipos de protección personal adecuados:** protección para los oídos, gafas de protección, mascarilla para los trabajos que generan polvo, guantes de protección al trabajar con materiales rugosos y para cambiar de útil.
- **Al trabajar puede generarse polvo perjudicial/tóxico (p. ej. pintura de plomo, algunos tipos de madera y metal).** El contacto o la inhalación de este polvo pueden suponer una amenaza para la persona que realiza el trabajo o para aquellas que se encuentren cerca. Observe las normativas de seguridad vigentes en su país.
-  Por el bien de su salud, utilice una mascarilla de protección respiratoria con filtro P2. En espacios cerrados procure una ventilación suficiente y conecte un sistema móvil de aspiración.
- Compruebe si los componentes de la carcasa presentan daños como fisuras o marcas blancas por esfuerzo. Haga reparar las piezas deterioradas antes de usar la herramienta eléctrica.
- **Utilice aparatos de exploración adecuados para detectar tuberías de abastecimiento ocultas o consulte a la compañía local de abastecimiento de energía.** El contacto de la herramienta con cables eléctricos puede provocar fuego y descargas eléctricas. Si se daña una tubería de gas, puede provocar una explosión. La penetración en una tubería de agua ocasiona daños materiales.

### 3.5 Trabajos con aluminio

Al trabajar con aluminio deberá tener presente las siguientes medidas por motivos de seguridad:

-  Utilizar gafas de protección.
- Limpiar la herramienta eléctrica periódicamente para eliminar el polvo acumulado en la carcasa del motor.
- Utilizar una hoja de sierra para aluminio.
- Conectar la herramienta eléctrica a un aspirador apropiado con tubo flexible de aspiración antiestático.
- Al serrar placas hay que lubricar con parafina; los perfiles de capa delgada (hasta

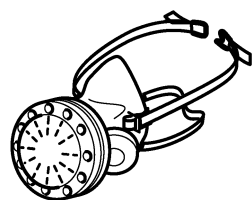
1/8" (3 mm)) pueden trabajarse sin lubricación.

### 3.6 Riesgos para la salud producidos por el polvo



**ADVERTENCIA!** algunos polvos creados por lijadoras motorizadas, aserraderos, trituradores, perforadoras y otras actividades de construcción contienen sustancias químicas que se sabe (en el Estado de California) causan cáncer, defectos de nacimiento u otros daños al sistema reproductivo. Algunos ejemplos de estas sustancias químicas son:

- Plomo de las pinturas con base de plomo
- Sílice cristalino de los ladrillos y cemento y otros productos de mampostería, y
- Arsénico y cromo de madera tratada con sustancias químicas



El riesgo de exposición a estas sustancias varía, dependiendo de cuantas veces se hace este tipo de trabajo. Para reducir el contacto con estas sustancias químicas:

trabaje en un área con buena ventilación y trabaje con equipo de seguridad aprobado, como mascarillas para el polvo diseñadas específicamente para filtrar partículas microscópicas.



#### ADVERTENCIA

**PARA REDUCIR EL RIESGO DE LESIÓN, EL USUARIO DEBE LEER EL MANUAL DE INSTRUCCIÓN.**

## 4 Uso conforme a lo previsto

Las sierras de incisión están diseñadas para serrar madera, materiales con características similares a la madera, materiales fibrosos de yeso o cemento aglomerado, así como plásticos.

Las máquinas equipadas con hojas de sierra especiales de Festool también pueden usarse para serrar metales ferrosos sin templar y metales no ferrosos.

La máquina NO debe emplearse para tratar materiales que contengan amianto.

No utilizar discos de tronzar y lijar.

Esta herramienta eléctrica solo debe ser utilizada por personal especializado o por personas que hayan recibido la formación adecuada.

**Las herramientas eléctricas Festool solo pueden montarse en mesas de trabajo suministradas por Festool para dicho fin.** El montaje en

mesas de trabajo de otras marcas o de fabricación propia puede mermar la seguridad de la herramienta eléctrica y provocar accidentes graves.



El usuario será responsable de cualquier utilización indebida.

### 4.1 Hojas de sierra

Solo deben utilizarse hojas de sierra con los siguientes datos:

- Hojas de sierra según EN 847-1
- Diámetro de la hoja de sierra 8-1/4" (210 mm)
- Anchura de corte 3/32" hasta 7/64" (2.4 - 2.6 mm)
- Taladro de alojamiento 1-3/16" (30 mm)
- Grosor del disco de soporte máx 5/64" (1.8 mm)
- Apta para n.º de revoluciones de hasta 5000 min<sup>-1</sup>

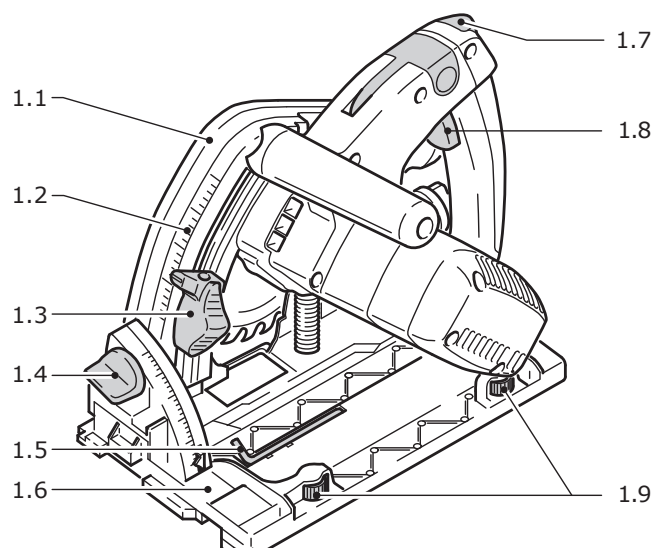
Las hojas de sierra Festool cumplen con lo indicado en la norma EN 847-1.

Serrar únicamente materiales adecuados para la hoja de sierra en cuestión.

## 5 Datos técnicos

Circular saw	TS 75 EQ
Potencia	13 A
Velocidad sin carga	1350 - 4400 min <sup>-1</sup>
Angulo de corte	0 - 45°
Profundidad de corte a 90°	2-15/16" (75 mm)
Profundidad de corte a 45°	2-1/8" (56 mm)
Diámetro disco sierra	8-1/4" (210 mm)
Diámetro de agujero	1-3/16" (30 mm)
Peso	13.6 lbs (6.2 kg)

## 6 Descripción del funcionamiento



- [1.1]** Caperuza protectora
- [1.2]** Escala de profundidades de corte
- [1.3]** Tope de profundidad de corte
- [1.4]** Tornillo de sujeción para regulación del ángulo de inclinación
- [1.5]** Llave macho hexagonal
- [1.6]** Mesa de aserrado
- [1.7]** Bloqueo de conexión y de desenclavamiento
- [1.8]** Interruptor de conexión/desconexión
- [1.9]** Mordazas de guía

## 7 Puesta en servicio



### ADVERTENCIA

#### Tensión o frecuencia no permitida

#### Peligro de accidente

- La tensión de red y la frecuencia de la red eléctrica deben coincidir con los datos que figuran en la placa de tipo.
- En Norteamérica solo pueden utilizarse las máquinas Festool con una tensión de 120 V/60 Hz.



### PRECAUCIÓN

**Calentamiento de la conexión plug-it porque el cierre de bayoneta no está completamente bloqueado**

#### Peligro de quemaduras

- Antes de conectar la herramienta eléctrica, asegúrese de que el cierre de bayoneta del cable de conexión a la red eléctrica esté completamente cerrado y bloqueado.



Apagar siempre la máquina antes de conectar y desconectar el cable de conexión a la red eléctrica.

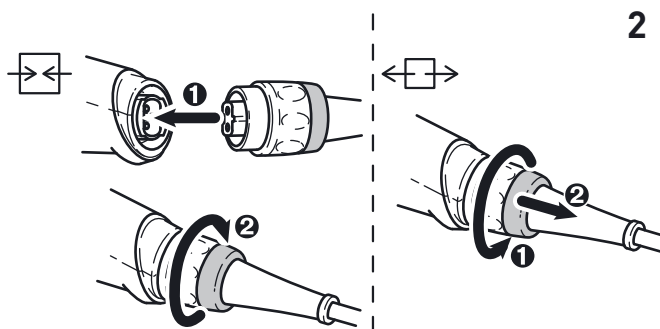
Conexión y desconexión del cable de conexión a la red, véase la imagen [2].



Cierre el bloqueo de conexión [1.7] hacia arriba y pulse el interruptor de conexión y desconexión [1.8] (pulsar = conectado / soltar = desconectado).

El accionamiento del bloqueo de conexión desbloquea el dispositivo de incisión. El grupo de la sierra se puede mover hacia abajo. La hoja de sierra sale de la caperuza de protección.

- ⓘ Al levantar la máquina, el grupo de la sierra vuelve a la posición de salida.



### 7.1 Cable de prolongación

Si se necesita un cable de prolongación, este debe tener una sección transversal suficiente para evitar una caída excesiva de voltaje o un sobrecalentamiento. Una caída excesiva de voltaje reduce la potencia y puede ocasionar un fallo del motor. La siguiente tabla muestra el diámetro correcto del cable para esta herramienta en función de su longitud.

#### Dimensiones del cable en AWG

Amperaje de la herramienta	Longitud del cable en pies			
	25	50	100	150
3-6	18	16	16	14
6-8	18	16	14	12



Amperaje de la herramienta	Longitud del cable en pies			
8-10	18	16	14	12
10-12	16	16	14	12
12-16	14	12	-	-

### Dimensiones del cable en mm<sup>2</sup>

Amperaje de la herramienta	Longitud del cable en metros			
	15	30	60	120
3-6	0.75	0.75	1.5	2.5
6-8	0.75	1.0	2.5	4.0
8-10	0.75	1.0	2.5	4.0
10-12	1.0	2.5	4.0	-
12-16	-	-	-	-

Usar solo cables de prolongación contemplados por el estándar NRTL.

No utilizar nunca dos cables de prolongación juntos. Utilizar uno largo en su lugar.

**i** Cuanto más bajo sea el número AWG, más fuerte será el cable.

## 8 Ajustes



### ADVERTENCIA

#### Peligro de lesiones y electrocución

- Desconectar el enchufe de la red antes de realizar cualquier trabajo en la máquina.

### 8.1 Sistema electrónico

La máquina dispone de un sistema electrónico de onda completa con las siguientes propiedades:

#### Arranque suave

El arranque suave regulado electrónicamente garantiza un arranque sin sacudidas de la herramienta eléctrica.

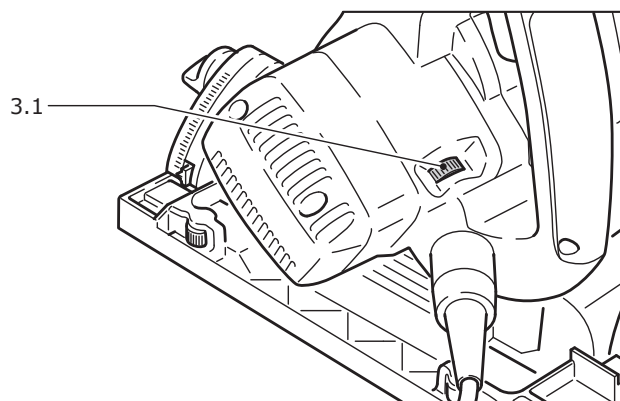
#### Número de revoluciones constante

El número de revoluciones del motor se mantiene constante gracias a un sistema electrónico. De este modo se consigue también una velocidad de corte estable bajo carga.

#### Regulación del número de revoluciones

El número de revoluciones puede ajustarse con la rueda de ajuste **[3.1]** de modo continuo dentro de la gama de revoluciones (véanse los Datos técnicos). De esta forma, puede adaptar la

velocidad de corte de forma óptima a cada superficie.



### Velocidad en función del material

Madera maciza (dura, blanda)	6
Placas de viruta y de fibra dura	3 - 6
Madera laminada, tableros de ebanistería, placas enchapadas y revestidas	6
Laminado, materiales minerales	4 - 6
Planchas de madera aglomerada y de fibras aglutinadas con cemento y yeso	1 - 3
Placas y perfiles de aluminio de hasta 15 mm	4 - 6
Plásticos, plásticos reforzados con fibra de vidrio (GfK), papel y tejidos	3 - 5
Vidrio acrílico	4 - 5

### Protector contra sobret temperatura

Si el motor alcanza una temperatura excesiva, se reducen la alimentación de corriente y el número de revoluciones. La herramienta eléctrica seguirá funcionando a potencia reducida para permitir que el motor se enfríe rápidamente mediante el sistema de ventilación. Una vez enfriada, la herramienta eléctrica arranca automáticamente.

### Limitación de corriente

La limitación de corriente evita un consumo de corriente excesivo en caso de sobrecarga extrema. Esto puede causar una reducción de la velocidad del motor. Tras aliviarse la carga, el motor vuelve a ponerse en marcha inmediatamente.

### 8.2 Ajuste la profundidad de corte

La profundidad de corte puede ajustarse entre 0 - 2-15/16" (0 - 75 mm):

- Presione el tope de profundidad de corte **[4.3]** y desplácelo hasta la profundidad deseada (los valores indicados en la esca-

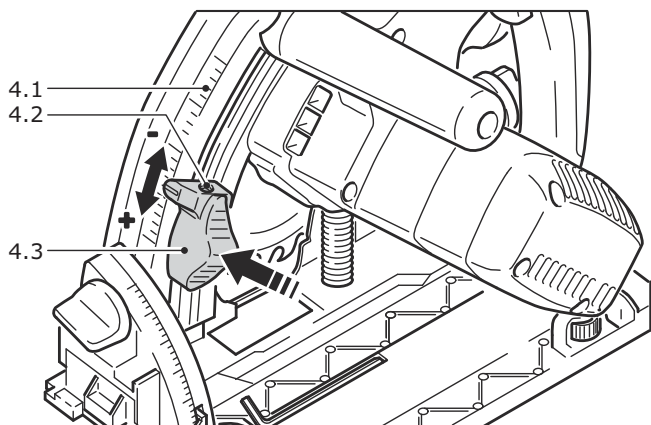


la [4.1] son válidos para cortes de 0° sin riel de guía),

- Suelte el tope de profundidad de corte (el tope encaja en pasos de 1 mm).

El grupo de sierra puede ahora presionarse hacia abajo hasta la profundidad de corte ajustada.

- i** En el orificio [4.2] del tope de profundidad de corte puede enroscarse un tornillo prisionero (M4x8 hasta M4x12). Al girar el tornillo prisionero, la profundidad de corte puede ajustarse con más exactitud aún ( $\pm 0.004"$  (0.1 mm)).

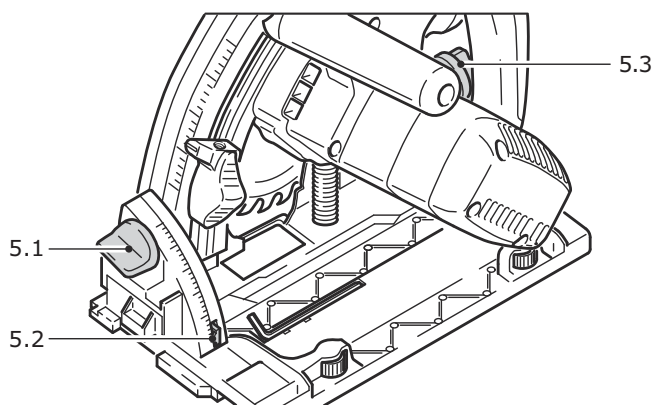


### 8.3 Ángulo de corte

El grupo de sierra puede inclinarse entre 0° y 45°:

- Abra los botones giratorios ([5.1], [5.3]),
- Inclina el grupo de sierra hasta el ángulo de corte deseado [5.2],
- Vuelva a apretar los botones giratorios.


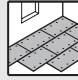
- i** Las dos posiciones finales (0° y 45°) vienen ajustadas de fábrica y pueden ser reajustadas por el servicio de atención al cliente.



### 8.4 Selección de la hoja de sierra

Las hojas de sierra Festool están identificadas con un anillo en color. El color del anillo indica el material para el que es apta la hoja de sierra.

Observe los datos necesarios sobre la hoja de sierra (véase el capítulo 4.1).

Color	Material	Símbolo
Amarillo	Madera	 
Rojo	Laminado, material mineral	 
Verde	Planchas de madera aglomerada y de fibras aglutinadas con cemento y yeso	 
Azul	Aluminio, plástico	 

### 8.5 Cambio de la hoja de sierra



#### ADVERTENCIA

##### Peligro de lesiones y electrocución

- Desconectar el enchufe de la red antes de realizar cualquier trabajo en la máquina.



#### PRECAUCIÓN

##### Riesgo de lesiones con herramientas calientes y afiladas

- No utilizar herramientas romas o defectuosas.
- Usar guantes de protección al manejar la herramienta.

#### Retirar la hoja de sierra

- Antes de cambiar la hoja de sierra, incline la máquina a la posición de 0° y ajuste la profundidad de corte máxima.
- Mueva la palanca hasta el tope [6.2].
- Levante el bloqueo de conexión [6.1] y presione el grupo de la sierra hacia abajo hasta que se encastre.
- Afloje el tornillo [6.4] con la llave de macho hexagonal [6.3].
- Retire la hoja de sierra [6.7].

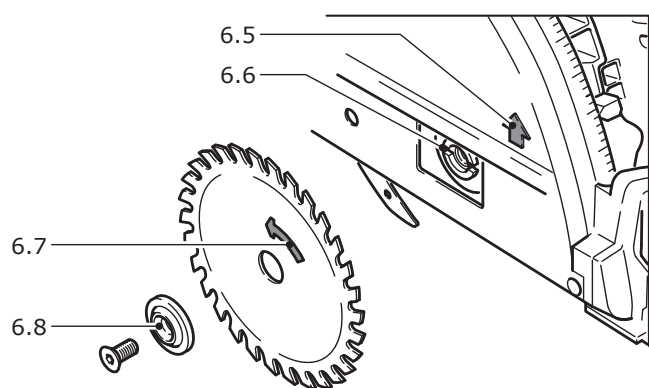
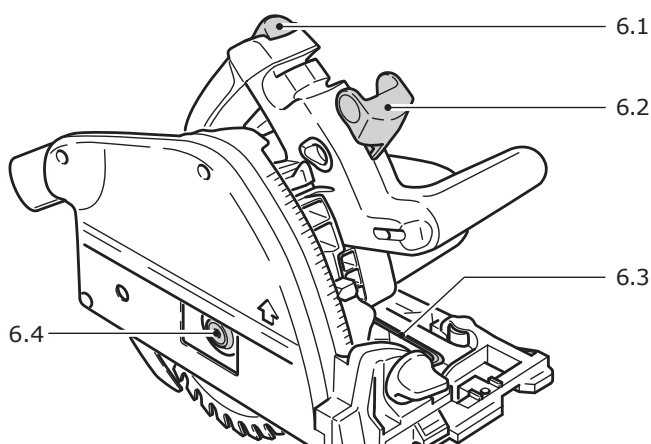
#### Montaje de la hoja de sierra

**ADVERTENCIA.** Comprobar si los tornillos y la brida están sucios y utilizar únicamente piezas limpias y que no presenten daños.

- Colocar la hoja de sierra nueva.

**ADVERTENCIA.** Los sentidos de giro de la hoja de sierra [6.7] y de la sierra [6.5] deben coincidir. Si no se sigue esta indicación, se pueden producir lesiones graves.

- ▶ Colocar la brida exterior **[6.8]** de manera que el taco de arrastre encaje en la entalladura de la brida interior.
- ▶ Apretar el tornillo **[6.4]**.
- ▶ Hacer retroceder la palanca **[6.2]**.



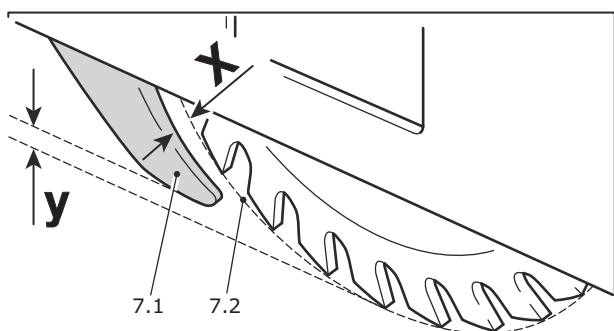
## 8.6 Cuña de partir



### ADVERTENCIA

#### Peligro de lesiones

La sierra circular está equipada de serie con una cuña de partir **[7.1]**. Por razones de seguridad, todos los trabajos de aserrado sólo deben ser llevados a cabo estando montada y correctamente ajustada la una cuña de partir!

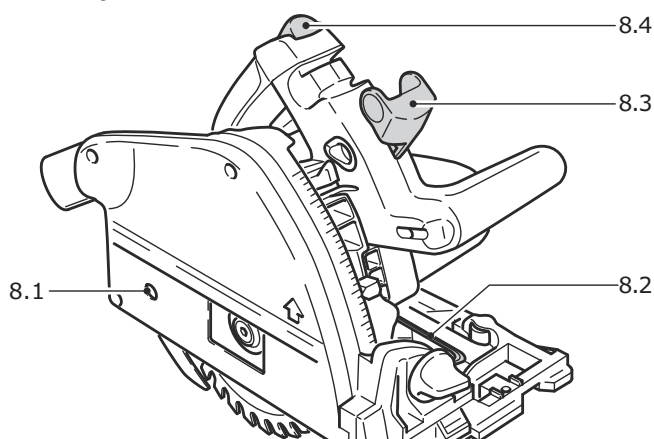


La cuña de partir tiene que ajustarse, de manera que

- la distancia entre la cuña y el círculo de alcance de filo **[7.2]** de la hoja de sierra sea de 5/64" a 5/32" (2 - 4 mm) (medida x), y que

- la hoja de sierra sobresalga de 5/64" a 5/32" (2 - 4 mm) por encima de la cuña de partir (medida y).

### Para ajustar la cuña de partir:



- ▶ Mueva la palanca **[8.3]** hasta el tope,
- ▶ desplace hacia arriba el bloqueo de conexión **[8.4]** y presione hacia abajo el grupo de sierra hasta que encaje **[8.4]**,
- ▶ afloje el tornillo **[8.1]** con una llave de macho hexagonal **[8.2]**,
- ▶ ajuste la cuña de partir como se indica en capítulo 8.6
- ▶ apriete el tornillo **[8.1]**,
- ▶ vuelva a colocar la palanca **[8.3]** a su posición inicial.

## 8.7 Aspiración



### ADVERTENCIA

#### Peligro para la salud causado por el polvo

- ▶ Utilice siempre un aspirador.
- ▶ Utilice únicamente un aspirador diseñado para recoger el tipo de polvo y las partículas del material que se está cortando.
- ▶ Siga las normas OSHA y NFPA para garantizar un entorno de trabajo seguro.

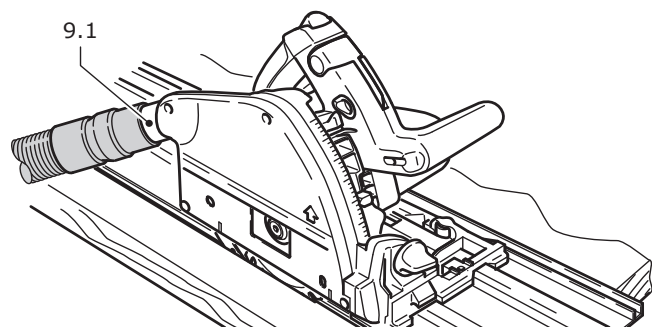
#### Sistema móvil de aspiración de Festool

En el racor de aspiración se puede conectar un sistema móvil de aspiración de Festool con un tubo flexible con un diámetro de 1-1/16"/1-17/64" (27/32 mm) o de 1-7/16" (36 mm) (se recomienda 36 mm, ya que el riesgo de obstrucción es menor).

La pieza de conexión de un tubo flexible de aspiración de 1-1/16" (27 mm) de diámetro se introduce en el codo **[9.1]**. La pieza de conexión de un tubo flexible de aspiración de 1-7/16" (36 mm) de diámetro se introduce en el codo **[9.1]**.

**ATENCIÓN.** Si no se utiliza un tubo flexible de aspiración antiestático, puede cargarse de

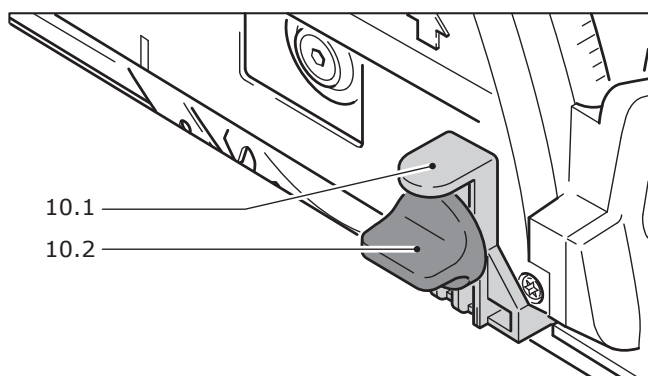
energía estática. El usuario puede sufrir una descarga eléctrica y la electrónica de la herramienta eléctrica puede resultar dañada.



## 8.8 Montaje de la protección antiastillas

La protección antiastillas (accesorios) mejora notablemente la calidad del canto de corte del lado superior de la pieza de trabajo en cortes de 0°.

- ▶ Colocar la protección antiastillas **[10.1]** en la caperuza de protección,
- ▶ colocar la máquina sobre la pieza de trabajo y en el riel de guía,
- ▶ presionar la protección antiastillas hacia abajo hasta que quede apoyada en la pieza de trabajo y atornillarla con el botón giratorio **[10.2]**,
- ▶ serrar la protección antiastillas (máquina ajustada a profundidad de corte máxima y velocidad 6).

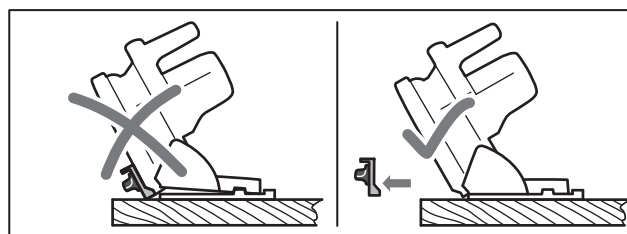


### ADVERTENCIA

#### Peligro de lesiones

**La protección contra astillas provoca que la sierra circular se desvíe al realizar cortes a inglete en la pieza de trabajo, por lo que pueden producirse lesiones graves.**

- ▶ Utilice la protección contra astillas sólo para cortes de 0°. Retire siempre la protección contra astillas al realizar cortes a inglete.



## 9 Trabajo con la herramienta eléctrica



Durante el trabajo tenga en cuenta todas las indicaciones de seguridad especificadas al principio, así como las siguientes reglas:

### Antes de comenzar

- Antes de cada uso, compruebe si la unidad de accionamiento y la hoja de sierra vuelven a girar a la posición de partida, hacia arriba sin problemas y completamente a la carcasa de protección. No utilice la sierra si la posición final superior no está garantizada. No bloquee ni fije la unidad de accionamiento giratoria en una profundidad de corte determinada. La hoja de sierra quedaría desprotegida.
- Antes de cada uso verifique el funcionamiento del dispositivo de incisión y utilice la máquina solo si este es correcto.
- Comprobar que la hoja de sierra esté bien sujeta.
- Antes de empezar a trabajar, cerciorarse de que el botón giratorio **[1.4]** esté fijamente enroscado.
- Asegurarse de que, durante el proceso de corte, el tubo flexible de aspiración y el cable de conexión a la red eléctrica no se enganchen en la pieza de trabajo ni en el soporte de la pieza de trabajo o en puntos peligrosos del suelo.
- Fije la pieza de trabajo siempre de forma que no se pueda mover cuando se trabaje con ella.
- Depositar la pieza de trabajo sin tensión y en posición plana.

### Al trabajar

- Al trabajar con la herramienta eléctrica, sujétela **siempre con ambas manos** por las empuñaduras **[11.1]**, **[11.2]**. Es imprescindible para trabajar y realizar incisiones con precisión. Incida en la pieza de trabajo de forma lenta y uniforme.
- Dirija la herramienta eléctrica hacia la pieza de trabajo solo cuando esté conectada.

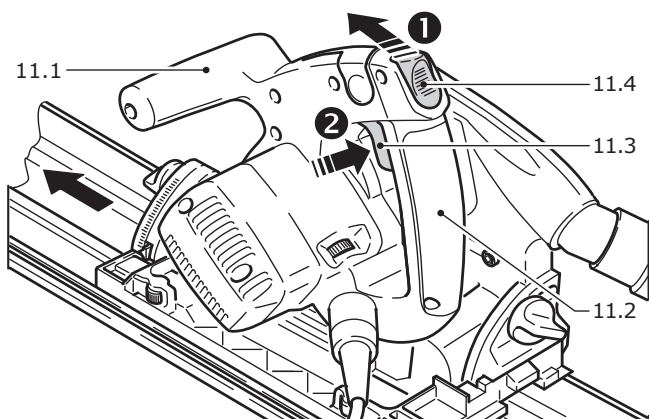
- Empuje la sierra siempre hacia delante **[13.3]**, **no tirar en ningún caso hacia atrás.**
- Adaptar la velocidad de avance para evitar que se sobrecalienten los filos de la hoja de sierra o que se derrita el plástico al serrarlo. Cuanto más duro sea el material a serrar, menor debe ser la velocidad de avance.
- No trabaje con la máquina cuando la electrónica esté defectuosa, pues podría producirse un elevado número de revoluciones. Sabrá que el sistema electrónico está defectuoso cuando el arranque no sea suave, cuando no sea posible regular el número de revoluciones y por la producción de humo o el olor a quemado de la máquina.

### 9.1 Conexión y desconexión de la máquina

**⚠ADVERTENCIA** La máquina tiene que ser sujeta da siempre con ambas manos por la empuñadura **[11.2]** y por la empuñadura adicional **[11.1]** durante la conexión y el uso.

Para la conexión desplace primero hacia delante el bloqueo de conexión y de desenclavamiento **[11.4]** y presione luego el interruptor de "Conexión" - "Desconexión" **[11.3]**. Seguidamente puede presionar la máquina hacia abajo para aserrar y soltar el bloqueo de conexión y de desenclavamiento.

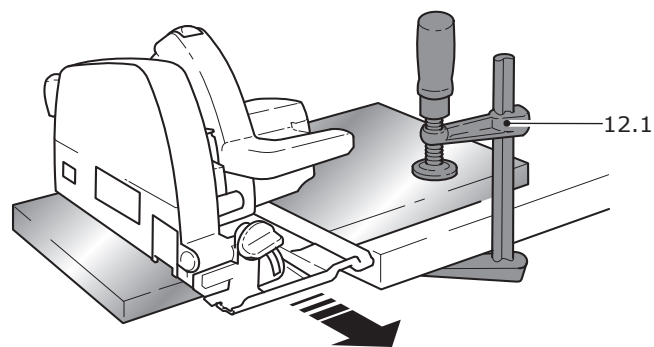
Para la desconexión sólo tiene que soltar el interruptor de "Conexión" - "Desconexión".



**⚠ADVERTENCIA** Tras la desconexión de la máquina, la hoja de sierra continúa girando en inercia durante un momento. ¡Proceda con cuidado, para evitar que la hoja de sierra entre en contacto con alguna parte de su cuerpo mientras continúa girando en inercia!

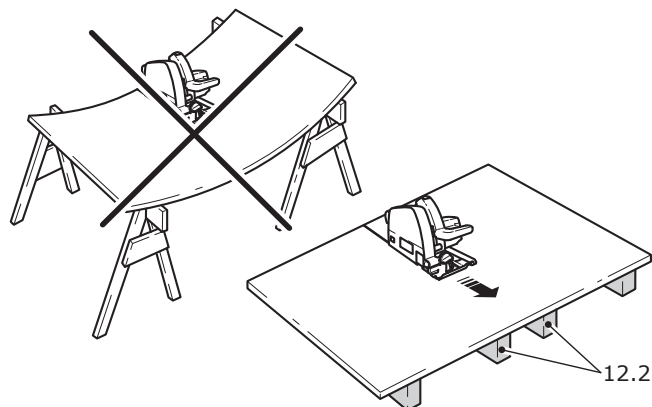
Tan pronto como al terminar el corte de aserrado levante la máquina de la pieza, ésta retrocede elástica y automáticamente a su posición inicial, y la hoja de sierra entra completamente de nuevo en la caperuza protectora.

### 9.2 Apoyo de las piezas



Facilite en todo momento un apoyo seguro de sus piezas, y que no se puedan mover durante el aserrado. En caso contrario existe un gran peligro de accidentes. No sujete nunca la pieza que vaya a aserrar con las manos o sobre sus piernas. En lugar de ello, emplee prensas de tornillo **[12.1]** u otros dispositivos apropiados para la fijación de su pieza.

Las piezas grandes y largas no deben colocarse nunca de manera que flexionen en el centro o en el punto de corte. En caso dado, esto puede conducir a un aprisionamiento de la hoja de sierra y a un rebote brusco. En lugar de ello, calce la pieza con varios listones **[12.2]**, en particular en las inmediaciones del punto de corte.

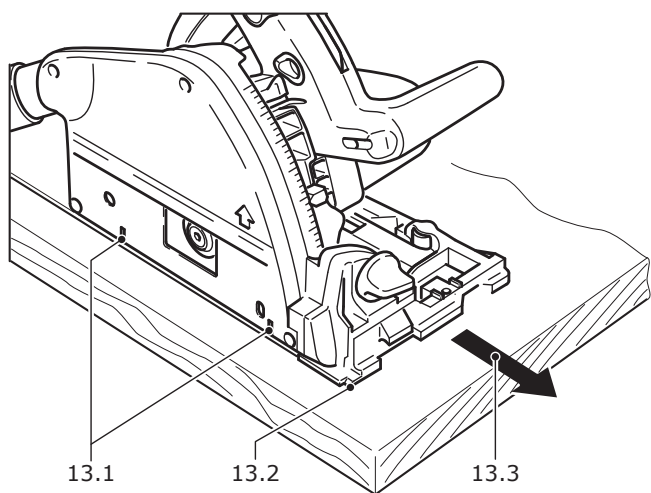


### 9.3 Trabajos de aserrado

**⚠ADVERTENCIA** Antes de iniciar el corte, la máquina tiene que haber alcanzado su plena velocidad, y solamente debe ser desconectada después de haber terminado el corte.

**⚠ADVERTENCIA** Corte siempre en el sentido contrario al del avance de la pieza, es decir, contra la pieza (desplazando la sierra circular de mano hacia delante, **[13.3]** y nunca en el sentido del avance de la pieza, es decir, apartándose de la pieza (desplazando la sierra circular de mano hacia atrás). Al aserrar en el sentido del avance de la pieza existe el peligro, de que la sierra circular de mano salte fuera de la ranura de corte (rebote), pudiendo producir lesiones graves.



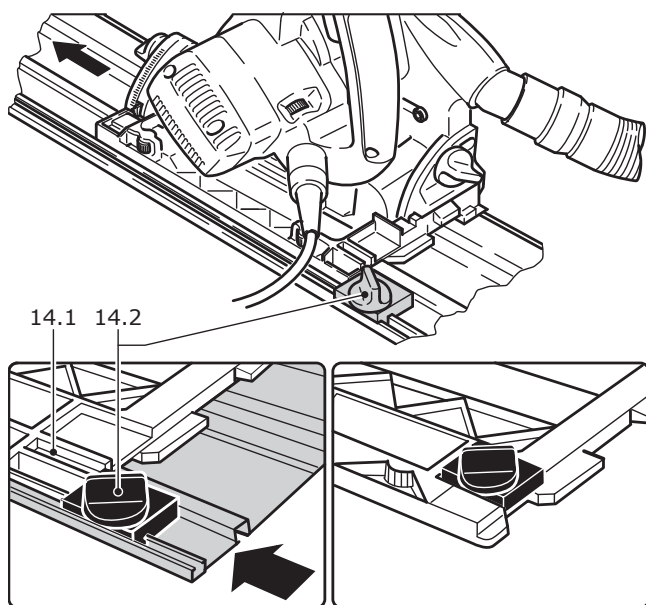


### A) Tronzado

- ▶ Colocar la parte delantera de la mesa de aserrado sobre la pieza. El indicador de corte [13.2] muestra el proceso en cortes de 0° y 45° (sin riel de guía).
- ▶ Conectar la máquina y presionar la sierra hacia abajo hasta la profundidad de corte ajustada.
- ▶ Desplazar la máquina en el sentido de corte. Observar que la mesa de aserrado descanse siempre firmemente sobre la pieza.
- ▶ Desconectar la máquina después de terminar el corte.

### B) Serrar segmentos (cortes de inmersión)

**⚠ ADVERTENCIA** A fin de evitar contragolpes, deberá observar obligatoriamente las siguientes indicaciones al efectuar cortes de inmersión:



- Coloque siempre la máquina con el canto posterior de la mesa de serrar contra un tope fijo.
- En caso de trabajar con el riel de guía, coloque la máquina junto a la parada de contragolpe [14.2], fijada sobre el riel de guía.

Si no resulta necesario, la parada de contragolpe puede dejarse en la placa guía. [14.1] de la máquina.

- La máquina se sostendrá firmemente con las dos manos y se sumergirá lentamente.

### Modo de proceder

- ▶ Posicione la máquina sobre la pieza de trabajo y colóquela junto a un tope (parada de contragolpe),
- ▶ conecte la máquina,
- ▶ presione lentamente hacia abajo hasta la profundidad de corte ajustada y avance en la dirección de corte.

*Las marcas [13.1] muestran el punto de corte situado más adelante y más atrás de la hoja de sierra (Ø 8-1/4" (210 mm)).*

## 10 Mantenimiento y limpieza



### ADVERTENCIA

**Cualquier trabajo de mantenimiento o reparación que requiera abrir el motor o la carcasa del engranaje deberá ser realizado únicamente por un Centro de Atención al Cliente (nombre proporcionado por su concesionario).**

- ▶ Los trabajos de mantenimiento o reparación realizados por una persona no autorizada podrían provocar la conexión incorrecta de los conductores de alimentación u otros componentes, lo que a su vez podría provocar accidentes con consecuencias graves.



### ADVERTENCIA

**Para prevenir los accidentes, antes de realizar cualquier trabajo de mantenimiento o reparación en la máquina retire siempre el enchufe de la toma de corriente.**

- ▶ No utilice aire a presión para limpiar las herramientas eléctricas. No intente limpiar las partes internas de la máquina de este modo, ya que podría permitir la entrada de objetos extraños a través de las aperturas de la carcasa de la máquina.



## PRECAUCIÓN

**Algunos productos de limpieza y disolventes resultan perjudiciales para las piezas de plástico.**

- ▶ Algunos de ellos incluyen, entre otros, gasolina, acetona, metiletilacetona (MEK) y oxidocloruro de carbono. Los productos de limpieza normalmente contienen cloro y amoníaco y los productos de limpieza del hogar contienen amoníaco.



**El servicio de atención al cliente y de reparaciones** solo está disponible a través del fabricante o de los talleres de reparación. Dirección más cercana en: [www.festoolusa.com/service](http://www.festoolusa.com/service)

[www.festoolusa.com/service](http://www.festoolusa.com/service)



Utilizar solo piezas de recambio Festool originales. Referencia en: [www.festoolusa.com/service](http://www.festoolusa.com/service)

### Tener en cuenta las siguientes advertencias:

- ▶ Los dispositivos de protección y las piezas que presenten daños, p. ej una palanca para cambiar de herramienta **[6.2]**, deben ser reparados o sustituidos conforme a lo prescrito por un taller especializado autorizado, a menos que se especifique de otro modo en el manual de instrucciones.
- ▶ Compruebe el estado y el correcto funcionamiento del muelle recuperador que presiona toda la unidad de accionamiento a la posición final protegida superior.
- ▶ Con el fin de garantizar una correcta circulación del aire, las aberturas para el aire de refrigeración de la carcasa deben mantenerse despejadas y limpias.
- ▶ Aspirar en todos los orificios para limpiar las astillas y las virutas de la herramienta eléctrica. Nunca abra la tapa de protección **[1.1]**.
- ▶ Al trabajar con placas de fibras de yeso y aglomerado de cemento, limpiar la herramienta de forma minuciosa. Limpie los orificios de ventilación de la herramienta eléctrica y los del interruptor de conexión y desconexión con aire comprimido seco y sin aceite. De lo contrario podría sedimentarse polvo con yeso en la carcasa de la herramienta eléctrica y el interruptor de conexión y desconexión, y endurecerse tras entrar en contacto con la humedad ambiental.

Esto podría conllevar problemas en el mecanismo de conmutación

## 11 Accesorios

Utilice únicamente los accesorios Festool originales y el material de consumo Festool diseñados para esta máquina, puesto que los componentes de este sistema están óptimamente adaptados entre sí. La utilización de accesorios y material de consumo de otros fabricantes puede afectar a la calidad de los resultados de trabajo y conllevar una limitación de los derechos de la garantía. El desgaste de la máquina o de su carga personal puede variar en función de la aplicación. Utilice únicamente accesorios originales y material de consumo de Festool para su propia protección y la de la máquina, así como de los derechos de la garantía.

Los números de pedido para los respectivos accesorios y herramientas se encuentran en su catálogo Festool o en la dirección de Internet "[www.festoolusa.com](http://www.festoolusa.com)".

### 11.1 ope paralelo, ampliación de mesa

Para anchuras de segmento hasta 7-1/16" (180 mm) puede emplearse un tope paralelo. El tope paralelo también puede utilizarse como ampliación de mesa.

### 11.2 Sistema de guía

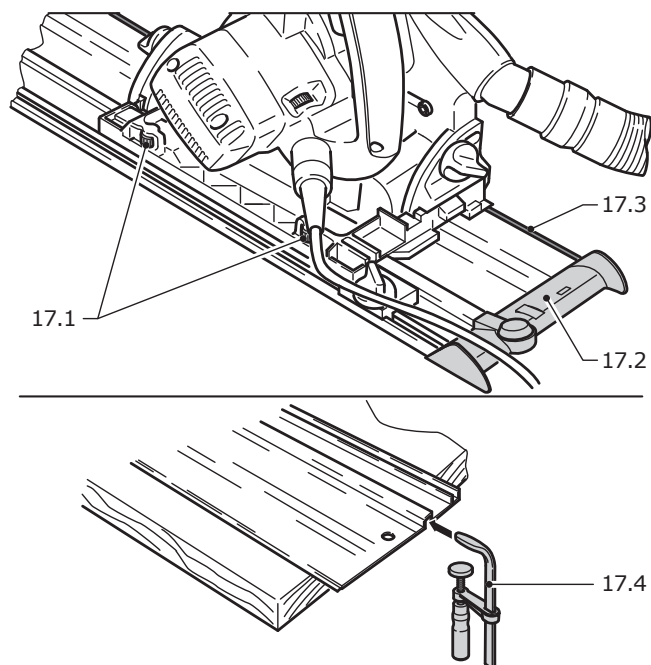
Los rieles guía disponibles en diferentes longitudes permiten unos cortes precisos, limpios, protegiendo al mismo tiempo la superficie de la pieza de trabajo ante posibles daños. En combinación con el extenso conjunto de accesorios, es posible efectuar con el sistema de guía unos cortes angulares, a inglete y unos trabajos de adaptación con gran exactitud.

La posibilidad de fijación mediante abrazaderas **[17.4]** permite una sujeción estable y un trabajo seguro. El derivador opcional **[17.2]** evita que el cable de alimentación y el tubo flexible de aspiración queden enganchados en el extremo del riel de guía.

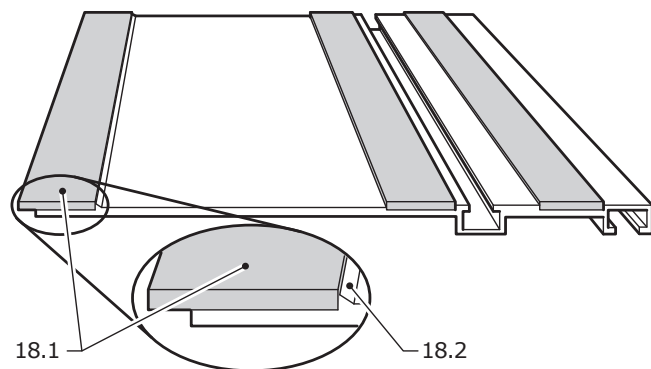
El juego de guiado de la mesa de serrar sobre los rieles guía puede regularse con las dos mordazas de ajuste. **[17.1]**.

La protección contra astillas (**[17.3]**, **[18.1]**), e los rieles de guía impiden que se astillen los cantos de corte al presionar la superficie de la pieza de trabajo hacia abajo contra los dientes de la hoja de sierra en movimiento. La protección contra astillas debe cortarse a medida antes de la primera aplicación:





- i** Coloque el riel de guía para serrar la protección anti-astillas en un taco mártir.
- Ajuste la velocidad de la máquina al escalón 6,
  - Coloque la máquina en el extremo posterior del riel de guía,
  - Conecte la máquina, presione hacia abajo hasta la profundidad de corte ajustada y sierre la protección contra astillas en toda su longitud sin desviarse. El canto de la protección contra astillas se corresponde exactamente con el canto de corte.



Debe sustituirse sin falta la protección contra astillas al apreciarse el menor síntoma de deterioro o desgaste:

- Extraiga la anterior protección contra astillas **[18.1]** del listón guía.
- Limpie cuando proceda el riel de guía de restos de pegamento y de suciedad originada por la protección contra astillas.
- Retire el plástico que cubre la nueva protección contra astillas hasta que la cinta adhesiva quede al descubierto.
- Sin estirar la goma, coloque con cuidado la nueva protección contra astillas sobre la

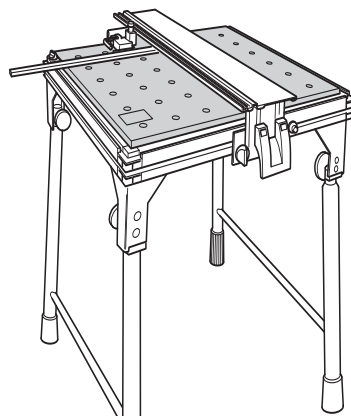
parte inferior del listón guía, alineándola con el nervio guía **[18.2]**.

- Presione con fuerza la protección contra astillas contra el listón guía.
- Corte a medida la protección contra astillas, tal y como se ha descrito con anterioridad.

- i** Coloque el riel de guía para serrar la protección anti-astillas en un taco mártir.

### 11.3 Mesa multifuncional

La mesa multifuncional MFT/3 permite una sujeción fácil de las piezas de trabajo y, en combinación con el sistema de guía, un trabajo seguro y preciso de piezas grandes y pequeñas. Gracias al amplio abanico de posibilidades de aplicación, es posible trabajar de manera provechosa, rentable y ergonómica.



### 11.4 Hojas de sierra, otros accesorios

Para cortar diversos materiales de forma rápida y limpia, Festool le ofrece hojas de sierra compatibles con su sierra circular Festool y adecuadas para cualquier aplicación.

### 11.5 Protección lateral, machihembrados

La protección lateral montable en la caperuza de protección mejora la efectividad de la aspiración en cortes de 0°.

Simultáneamente, la protección puede utilizarse como tope machihembrado para anchuras a partir de 3/4" (18 mm).

### 11.6 SYSTAINER

#### Systainer

Muchos de los productos Festool se entregan en un embalaje exclusivo denominado "Systainer" que sirve de protección a la herramienta y sus complementos, además de facilitar su almacenamiento. Los Systainer pueden apilarse y encajan unos con otros. Además se adaptan sin problema a cualquier aparato de aspiración CT de Festool.

### Para abrir el Systainer


 Gire el T-loc **[SYS-b-1]** a esta posición.

### Para cerrar el Systainer

 Gire el T-loc **[SYS-b-1]** a esta posición.

### Para encajar dos Systainer

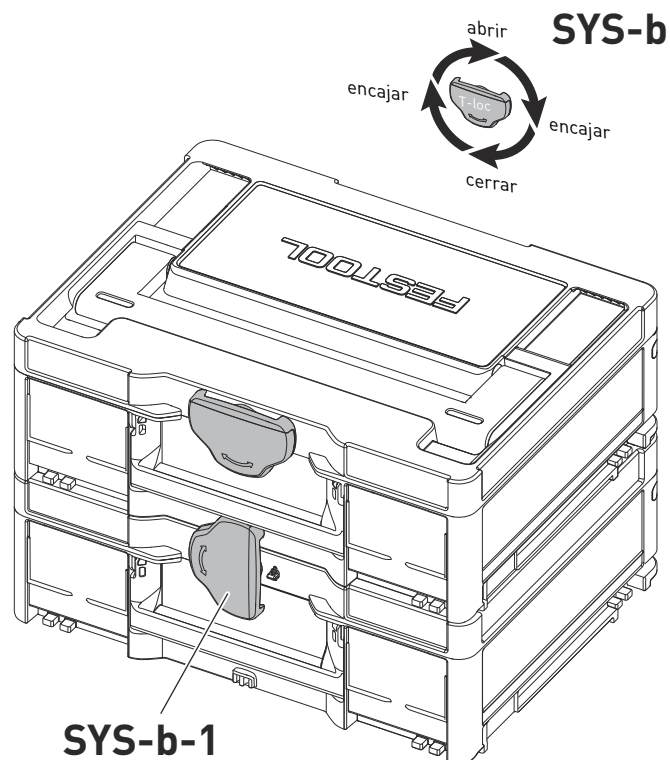
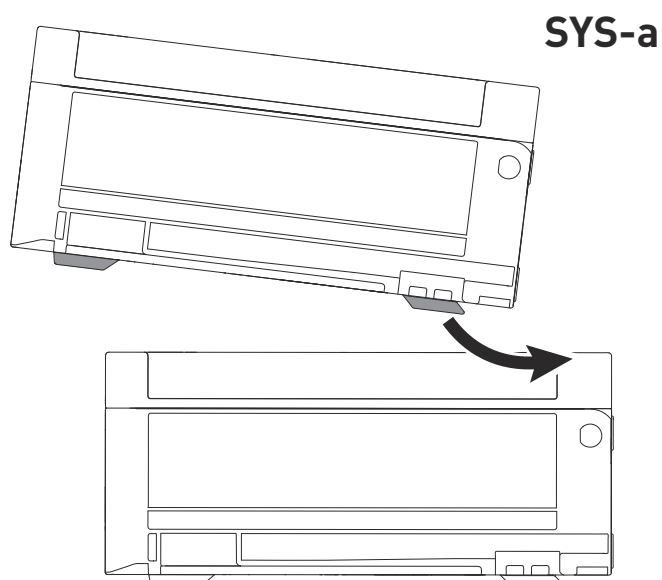
Ponga el Systainer sobre un otro **[SYS-a]**.

 Gire el T-loc **[SYS-b-1]** a una de estas posiciones (Fig. **[SYS-b]**).

Los Systainers están encajados y cerrados.

**i** El Systainer Classic Line se puede unir por la parte inferior con un Systainer T-Loc o con un Systainer<sup>3</sup> por medio de sus cuatro enclavamientos

El Systainer T-Loc se puede unir por abajo o por arriba con un Systainer<sup>3</sup>.



## 12 Medio ambiente

**No deseche la herramienta junto con los residuos domésticos.** Recicle las herramientas, accesorios y embalajes de forma respetuosa con el medio ambiente. Respete la normativa vigente del país.